



Ultimate and Ultimate Wood Casement Collection

Replacement Parts

Specifications and technical data are subject to change without notice.

Numbers listed in () parentheses are metric equivalents in millimeters rounded to the nearest whole number.

Suggested fasteners are not included and must be ordered separately.

Illustrations are not to scale.

Contents

Product History.....	4
Ultimate Casement/Awning	6
Ultimate Casement/Awning Picture.....	7
Ultimate Casement Corner	8
Ultimate Casement/Awning Push Out	9
Ultimate Casement/Awning Push Out Picture.....	10
Ultimate Casement Round Top.....	11
Ultimate Casement Stationary Round Top.....	12
Ultimate Casement Operator Polygon	13
Ultimate Casement Stationary Polygon.....	14
Ultimate French Casement.....	15
Ultimate French Casement Stationary.....	16
Ultimate French Casement Push Out.....	17
Ultimate French Casement Push Out Stationary.....	18
Ultimate Casement Venting Picture	19
Ultimate Casement/Awning Narrow Frame	20
Ultimate Casement/Awning Narrow Frame Picture.....	21
Ultimate Casement/Awning Narrow Frame Push Out	22
Ultimate Casement/Awn Narrow Frame Push Out Picture.....	23
Ultimate Casement Narrow Frame Operator Round Top	24
Ultimate Casement Narrow Frame Stationary Round Top.....	25
Ultimate Casement Narrow Frame Operator Polygon	26
Ultimate Casement Narrow Frame Stationary Polygon	27
Ultimate French Casement Narrow Frame Push Out.....	28
Ultimate French Casement Narrow Frame Push Out Stationary.....	29
Ultimate Wood Casement/Awning	30
Ultimate Wood Casement/Awning Picture.....	31
Ultimate Wood Casement/Awning Push Out	32
Ultimate Wood Casement/Awning Push Out Picture.....	33
Ultimate Wood Casement Round Top.....	34
Ultimate Wood Casement Stationary Round Top.....	35

Contents continued on next page

Contents (cont.)

Ultimate Wood Casement Operator Polygon	36
Ultimate Wood Casement Stationary Polygon	37
Ultimate Wood French Casement	38
Ultimate Wood French Casement Stationary	39
Ultimate Wood French Casement Push Out	40
Ultimate Wood French Casement Push Out Stationary	41
Ultimate Wood Casement/Awning Narrow Frame	42
Ultimate Wood Casement/Awning Narrow Frame Picture	43
Ultimate Wood Casement/Awning Narrow Frame Push Out	44
Ultimate Wood Casement/Awn Narrow Frame Push Out Picture	45
Ultimate Wood Casement Narrow Frame Operator Round Top	46
Ultimate Wood Casement Narrow Frame Stationary Round Top	47
Ultimate Wood Casement Narrow Frame Operator Polygon	48
Ultimate Wood Casement Narrow Frame Stationary Polygon	49
Installation Parts	50
Handles	51
Hinges	55
Hinges - Discontinued Limited Availability (LA)	62
Operators	63
Operators - Discontinued No Availability (NA)	68
Locking Hardware	69
Locking Hardware - Discontinued No Availability (NA)	84
Lock Status Sensor Parts	85
Powerdrive	86
WOCD Field Applied and Replacement Kits	90
WOCD Field Applied and Replacement Kits - Disc LA	94
Miscellaneous Parts	96
Miscellaneous Parts - Discontinued No Availability (NA)	102
Fasteners	103
Vinyl Parts	104
Wood Parts - Fabricated	105
Wood Parts Fabricated - Discontinued No Availability (NA)	110

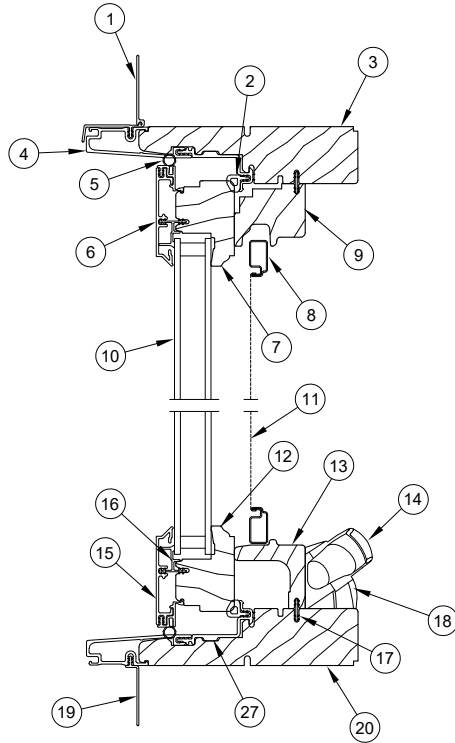
Contents continued on next page

Contents (cont.)

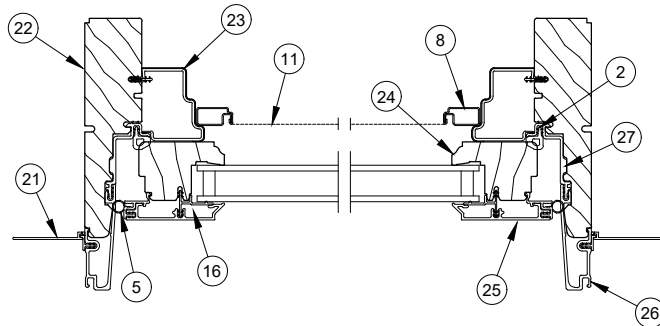
Weather Strip	111
Weather Strip - Discontinued No Availability (NA)	114
Screen Replacement	115
Screen Parts	116
Screen Parts - Discontinued No Longer Available (NA).....	121
Retractable Screen - Part IDs	122
Retractable Screen Mesh Cartridge - Configured Parts in OMS	124
Retractable Screen Parts.....	125
Sash Replacement - Configured Parts in OMS	130
Tools.....	131

Produced	Unit Type	Features and Changes
2008	Ultimate and Ultimate Wood Casement/Awning Narrow Frame	3/17/2008: Introduced the Ultimate Casement/Awning Narrow Frame. See Product Bulletin 408 for more details. 6/02/2008: Introduced charcoal colored high transparency screen mesh (CH HI-TRAN). This will be standard on Ultimate Casement/Awning Narrow Frame wood screens. It will be an option on aluminum screens.
	Ultimate Casement/Awning	9/02/2008 Introduced the Ultimate Casement and the Ultimate Awning. See Product Bulletin 415 for more details.
2009	Ultimate Wood Casement/Awning Ultimate Casement/Awning Push Out Ultimate Wood Casement/Awning Push Out Ultimate Casement/Awning Narrow Frame Push Out	1/26/2009: Introduced the Ultimate Wood Casement and Ultimate Wood Awning, Ultimate Casement Push Out, Ultimate Awning Push Out, Ultimate Wood Casement Push Out, Ultimate Wood Awning Push Out and the Ultimate Casement Narrow Frame Push Out. See Product Bulletin 424. Connecting Barb changed from V1700 to V803.
	Ultimate and Ultimate Wood Casement Round Top	3/23/2009: Added LoE3-366 as a standard option for all products. Added Cedro Macho as a standard option for all Ultimate products. 3/31/2009: Introduced the Ultimate and Ultimate Wood Casement Round Top. See Product Bulletin 433 for more details.
	Ultimate and Ultimate Wood Casement IZ3	7/27/2009: Introduced IZ3 Ultimate and Ultimate Wood Casement. See Product Bulletin 442 for more details.
	Ultimate and Ultimate Wood Casement	12/04/2009 Introduced the 90 degree Sash-to-Sash Corner unit. Stationary assemblies only. CN3672 maximum size. See Product Bulletin 448 for more details.
2010	Ultimate Wood Casement/Awning Ultimate Casement/Awning Narrow Frame	1/18/2010: Introduced the Retractable Screen. See Product Bulletin 450 for more details.
	Ultimate and Ultimate Wood Casement Stationary Polygon	2/22/2010: Introduced the Ultimate and Ultimate Wood Casement Stationary Polygon. Only stationary units available at this time. See Product Bulletin 454 for more details.
	Ultimate and Ultimate Wood French Casement Push Out Ultimate French Casement Narrow Frame Push Out	3/4/2010: The Ultimate and Ultimate Wood French Casement Push Out and the Ultimate French Casement Narrow Frame Push Out is available. See Product Bulletin 459 for more details.
	Ultimate and Ultimate Wood Awning IZ3	3/29/2010: Introduced the Ultimate and Ultimate Wood Awning IZ3. See Product Bulletin 461 for more details.
	Ultimate Casement Venting Picture	4/26/2010: Introduced the Ultimate Casement Venting Picture. See Product Bulletin 464 for more details.
	Ultimate and Ultimate Wood French Casement	6/28/2010: Introduced the Ultimate and Ultimate Wood French Casement. See Product Bulletin 470 for more details.
	Ultimate Casement/Awning Push Out Ultimate Wood Casement/Awning Push Out Ultimate Casement/Awning Narrow Frame Push Out	6/28/2010: Added the Retractable Screen option to the Push Out. See Product Bulletin 471 for more details.
	Ultimate Wood Casement/Awning Narrow Frame Ultimate Wood Casement/Awning Narrow Frame Push Out	8/30/2010 Introduced the Ultimate Wood Narrow Frame Casement and Awning, and the Ultimate Wood Narrow Frame Push Out Casement and Awning. See Product Bulletin 473 for more details.
2011	All	4/25/2011: Added LoE-180 as a standard option for all products. White painted interior finish option introduced for all products.
2012	Ultimate Casement Narrow Frame Round Top Ultimate Wood Casement Narrow Frame Round Top Ultimate Casement Narrow Frame Operator Polygon Ultimate Wood Casement Narrow Frame Operator Polygon Ultimate Casement Operator Polygon Ultimate Wood Casement Operator Polygon	12/17/2012: Introduced the Ultimate and Ultimate Wood Casement Narrow Frame Round Top, Ultimate and Ultimate Wood Casement Narrow Frame Operator Polygon, and the Ultimate and Ultimate Wood Operator Polygon. See Product Bulletin 524 for more details.
	All	12/17/2012: Introduced clear interior finish option on all products. See Product Bulletin 523 for more details.

Produced	Unit Type	Features and Changes
2013	All	4/29/2013: Introduced interior stain options. Stain colors are Wheat, Honey, Leather, Hazelnut, Cabernet and Espresso.
	Ultimate Casement/Awning Ultimate Wood Casement/Awning Ultimate Casement/Awning Narrow Frame Ultimate Wood Casement/Awning Narrow Frame	12/16/2013: Interior Shades option introduced. See Product Bulletin 542 for more details.
2015	Ultimate Wood Casement/Awning	6/29/2015: Introduced a new bottom sash weather strip, V2512, for all Wood Ultimate Casement/Awning products (see Customer Service Bulletin 163). 11/30/2015: Enhancements were made to the retractable screen. See Product Bulletin 622 for more details.
2016	Ultimate Casement Corner	6/27/2016: Introduced the Clad Ultimate Corner Window.
	All	6/27/2016: Introduced Matte Black as a standard hardware color. 10/31/2016: Obsolescence of the wood species Cedro Macho for all products.
2017	Ultimate Casement/Awning	12/18/2017: Introduced the Lock Status Sensor. See Product Bulletin 698 for more details.
2018	Ultimate Casement	12/17/2018: V2843 Vinyl Sash Glazing Bead replaces the V1611.
2020	Ultimate Casement Ultimate Casement Narrow Frame	4/27/2020: Added WOCD field applied and replacement kits. See Product Bulletin 758 for more details.
2021	Ultimate Wood Casement Narrow Frame	08/30/2021: Ultimate Wood Casement Narrow Frame portfolio of products have moved to DISC NA 8/30/21 (No Longer Available) status. All replacement parts are still available. See Product Bulletin 790 for more information.
	All Ultimate Casement	10/25/2021: The standard screen mesh changed from Charcoal Fiberglass Mesh to Marvin Bright View™, previously known as Charcoal Hi-Transparency Mesh. See Product Bulletin 793 for more details. 12/13/2021: The interior glazing profile option of Ovolo for Ultimate Casement and Awning products will be moved to Discontinued – Limited availability status (Disc-LA). The Ovolo interior glazing profile will remain available for replacement sash only. This change is limited to Ultimate Clad products, there is no change to the Ultimate Wood products. See Product Bulletin 803 for more details.
2022	All Ultimate Casement	06/27/2022: The Aluminum Screen will be the standard for units with a frame size height of $\leq 54 \frac{1}{2}$ " with an option of the Extruded Aluminum Screen available. The standard screen for any unit with a frame size height $> 54 \frac{1}{2}$ " will be the Extruded Aluminum Screen. This improvement to screen frames includes all Ultimate and Ultimate Wood windows that accept an aluminum screen, including Round Top and Polygon shapes. See Product Bulletin 832 for more details.
	Ultimate Casement Push Out Ultimate Casement Narrow Frame Push Out Ultimate Casement Ultimate Casement Narrow Frame	08/29/2022: New WOCD introduced as factory applied or field installation. For more information, see Product Bulletin 840.
2023	All	04/24/2023: The Retractable Screen was moved to Discontinued - No Availability (DISC-NA). See Product Bulletin 873 for more information.
	Ultimate and Ultimate Wood Casement, Awning, Ultimate and Ultimate Wood Casement Polygons, Ultimate and Ultimate Wood Casement, Awning and French Push Out	10/30/2023: An ERS coating became available as a standard option for current Triple Pane offerings. See Product Bulletin 904 for more details.

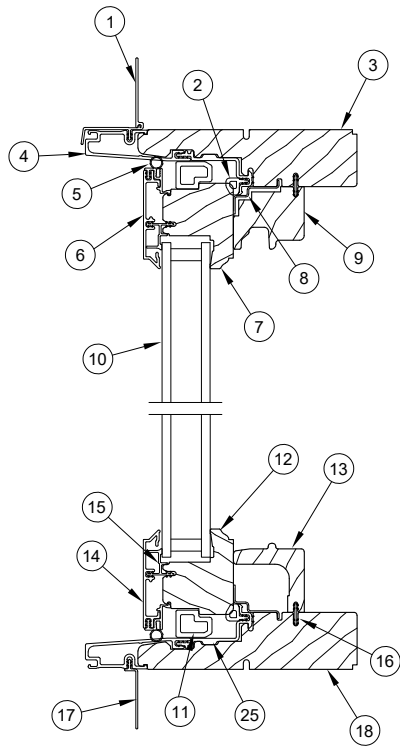


Head Jamb and Sill

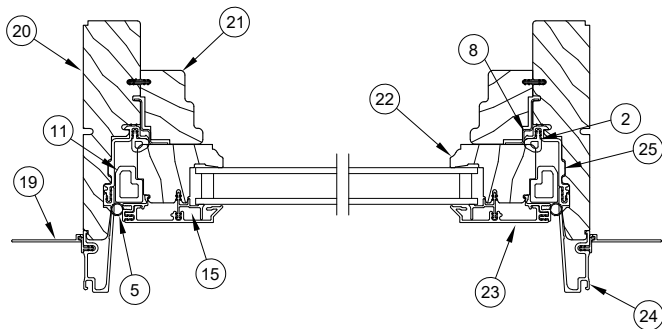


Jamb

1. Head Jamb Nailing Fin and Drip Cap, V119
2. Frame Weather Strip, V1983
3. Head Jamb
4. Head Jamb Cladding
5. Sash Weather Strip, V1797
6. Top Rail Cladding
7. Top Rail
8. Screen Frame
9. Head Jamb Stop, W9787
10. Insulating Glass
11. Screen Mesh
12. Bottom Rail
13. Sill Cover, W9788
14. Folding Crank Handle
15. Bottom Rail Cladding
16. Sash Glazing Bead, V2843
17. Connecting Barb, V803
18. Folding Crank Handle Cover
19. Sill Nailing Fin, V084
20. Sill
21. Jamb Nailing Fin, V104
22. Jamb
23. Jamb Stop,
24. Stile
25. Stile Cladding
26. Jamb Cladding
27. Frame Thermal Break

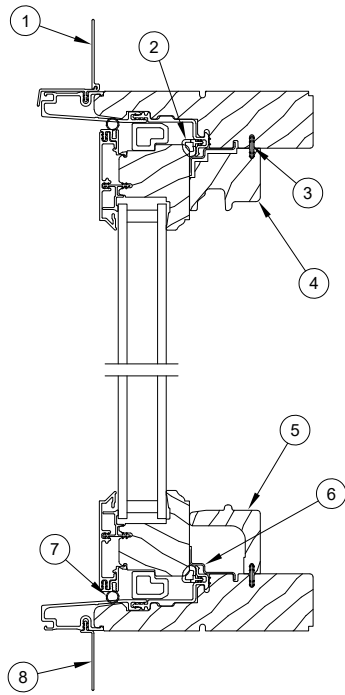


Head Jamb and Sill

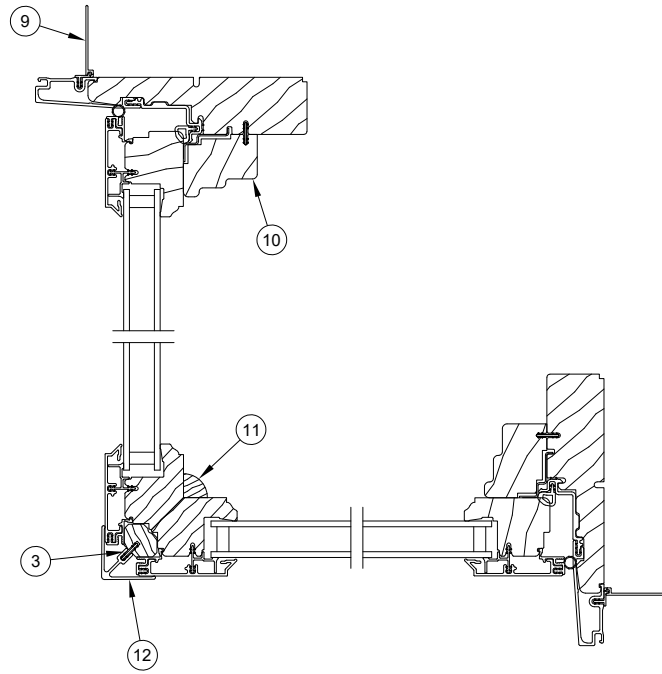


Jamb

1. Head Jamb Nailing Fin and Drip Cap, V119
2. Frame Weather Strip, V1983
3. Head Jamb
4. Head Jamb Cladding
5. Sash Weather Strip, V1797
6. Top Rail Cladding
7. Top Rail
8. Stationary Bracket
9. Head Jamb Stop, W9787
10. Insulating Glass
11. Stationary Sash Block, V1613
12. Bottom Rail
13. Sill Cover, W9788
14. Bottom Rail Cladding
15. Sash Glazing Bead, V2843
16. Connecting Barb, V803
17. Sill Nailing Fin, V084
18. Sill
19. Jamb Nailing Fin, V104
20. Jamb
21. Jamb Stop, W9790
22. Stile
23. Stile Cladding
24. Jamb Cladding
25. Frame Thermal Break

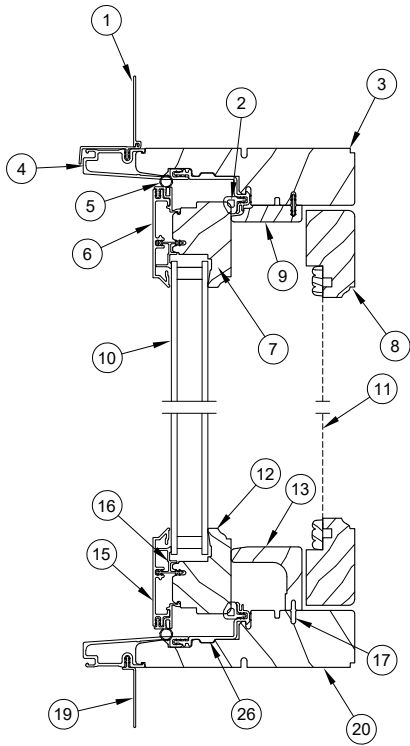


Head Jamb and Sill

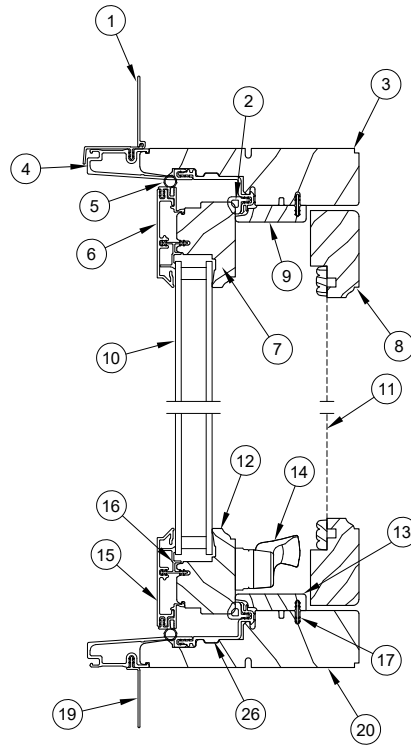


Jamb

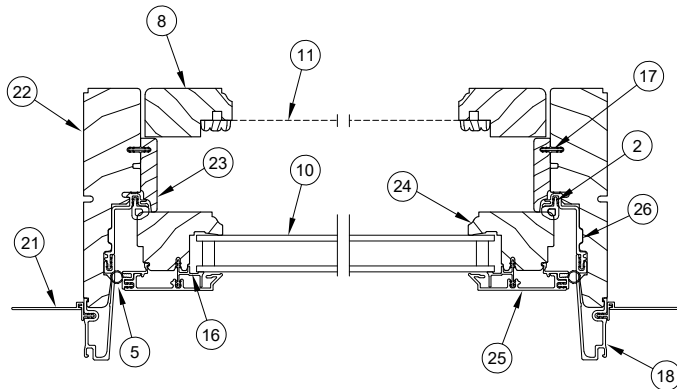
1. Head Jamb Nailing Fin/Drip Cap, V119
2. Frame Weather Strip, V1983
3. Connecting Barb, V803
4. Head Jamb Cover, W9787
5. Sill Cover, W9788
6. Sash Bracket
7. Sash Weather Strip, V1797
8. Sill Nailing Fin, V084
9. Jamb Nailing Fin, V104
10. Jamb Cover, W9790
11. Corner Stile Trim, W7003
12. Corner Stile Cladding



Casement Head Jamb and Sill

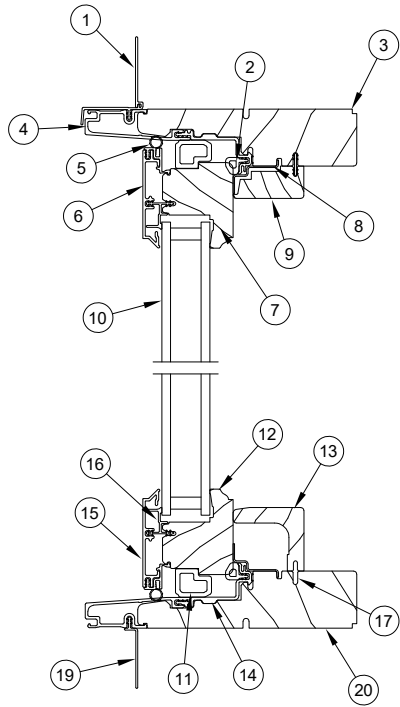


Awning Head Jamb and Sill



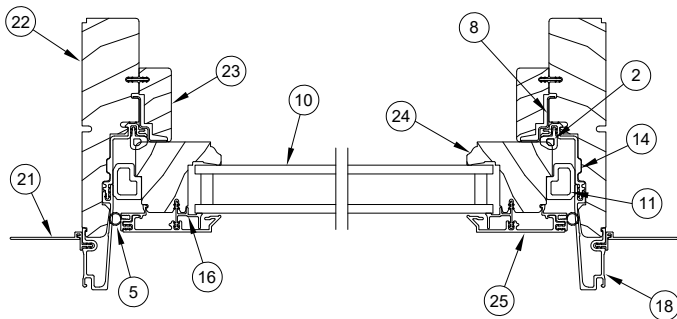
**Jamb
(Awning shown)**

1. Head Jamb Nailing Fin and Drip Cap, V119
2. Frame Weather Strip, V1983
3. Head Jamb
4. Head Jamb Cladding
5. Sash Weather Strip, V1797
6. Top Rail Cladding
7. Top Rail
8. Screen Frame
9. Head Jamb Stop, W10231
10. Insulating Glass
11. Screen Mesh
12. Bottom Rail
13. Sill Cover, W10329 (CA), W10231 (AWN)
14. Handle
15. Bottom Rail Cladding
16. Sash Glazing Bead, V2843
17. Connecting Barb, V803
18. Jamb Cladding
19. Sill Nailing Fin, V084
20. Sill
21. Jamb Nailing Fin, V104
22. Jamb
23. Jamb Stop, W10230
24. Stile
25. Stile Cladding
26. Frame Thermal Break

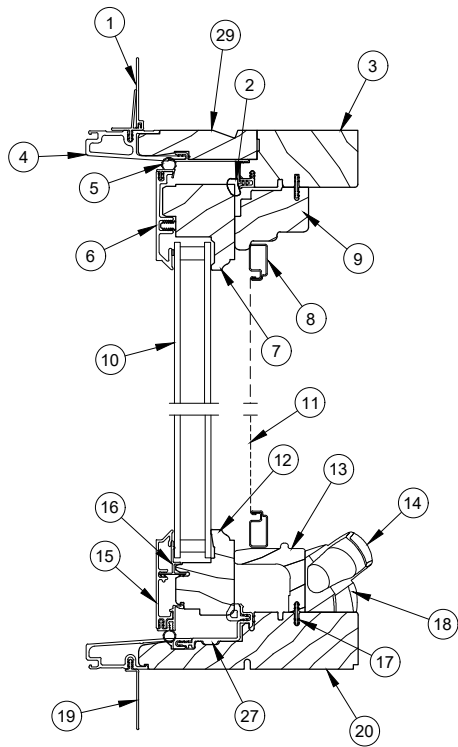


Head Jamb and Sill

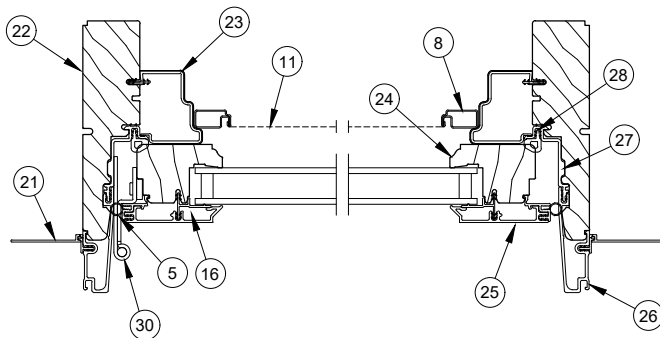
1. Head Jamb Nailing Fin and Drip Cap, V119
2. Frame Weather Strip, V1983
3. Head Jamb
4. Head Jamb Cladding
5. Sash Weather Strip, V1797
6. Top Rail Cladding
7. Top Rail
8. Stationary Bracket
9. Head Jamb Stop, W11312
10. Insulating Glass
11. Stationary Sash Block, V1613
12. Bottom Rail
13. Sill Cover, W10329
14. Frame Thermal Break
15. Bottom Rail Cladding
16. Sash Glazing Bead, V2843
17. Connecting Barb, V803
18. Jamb Cladding
19. Sill Nailing Fin, V084
20. Sill
21. Jamb Nailing Fin, V104
22. Jamb
23. Jamb Stop, W11311
24. Stile
25. Stile Cladding



**Jamb
(Casement shown)**

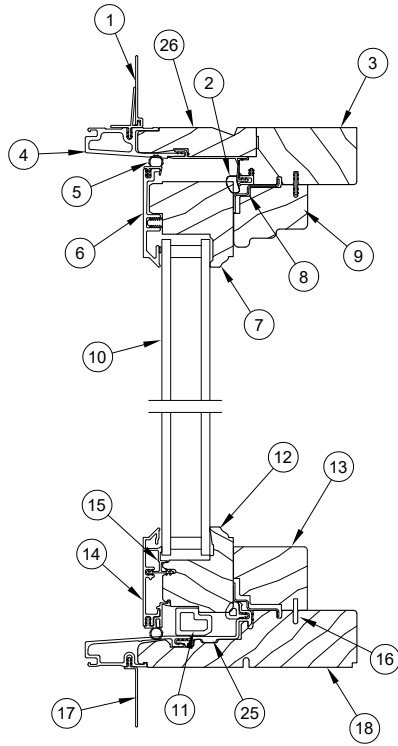


Head Jamb and Sill



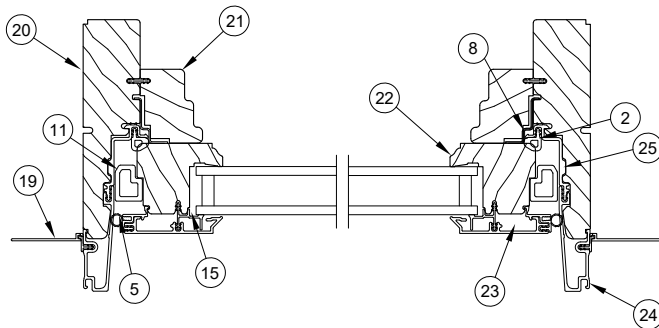
Jamb

1. Head Jamb Nailing Fin and Drip Cap, V110
2. Head Jamb Weather Strip, V1725
3. Head Jamb Interior Component
4. Head Jamb Cladding
5. Sash Weather Strip (Top Rail), V1655
6. Top Rail Cladding
7. Top Rail
8. Screen Frame
9. Head Jamb Stop, W9767
10. Insulating Glass
11. Screen Mesh
12. Bottom Rail
13. Sill Cover, W10430
14. Folding Crank Handle
15. Bottom Rail Cladding
16. Sash Glazing Bead, V2843
17. Connecting Barb, V803
18. Folding Crank Handle Cover
19. Sill Nailing Fin, V084
20. Sill
21. Jamb Nailing Fin, V104
22. Jamb
23. Jamb Stop, V1666
24. Stile
25. Stile Cladding
26. Jamb Cladding
27. Frame Thermal Break
28. Frame Weatherstrip, V1983
29. Head Jamb Exterior Component
30. Butt Hinge

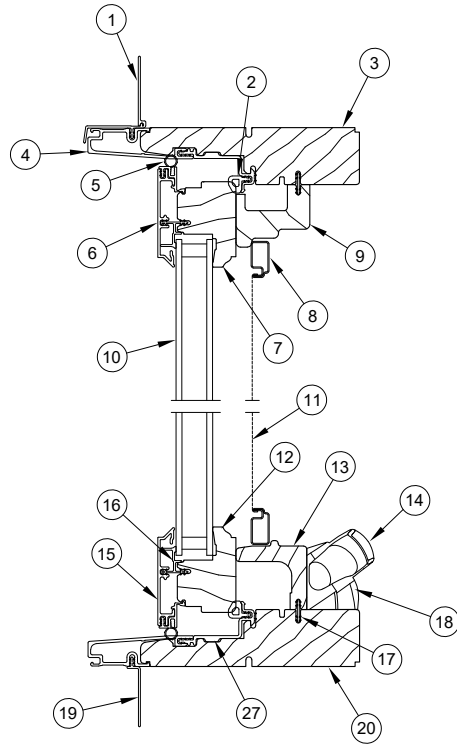


Head Jamb and Sill

1. Head Jamb Nailing Fin and Drip Cap, V110
2. Head Jamb Weather Strip, V1725
3. Interior Frame Component
4. Head Jamb Cladding
5. Top Rail Weather Strip, V1655
6. Top Rail Cladding
7. Top Rail
8. Stationary Bracket
9. Head Jamb Stop, W9767
10. Insulating Glass
11. Stationary Sash Block, V1613
12. Bottom Rail
13. Sill Cover, W10454
14. Bottom Rail Cladding
15. Sash Glazing Bead, V2843
16. Connecting Barb, V803
17. Sill Nailing Fin, V084
18. Sill
19. Jamb Nailing Fin, V104
20. Jamb
21. Jamb Stop, W9790
22. Stile
23. Stile Cladding
24. Jamb Cladding
25. Frame Thermal Break
26. Exterior Frame Component

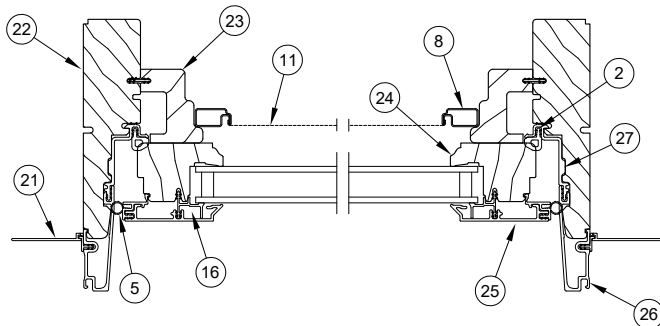


Jamb

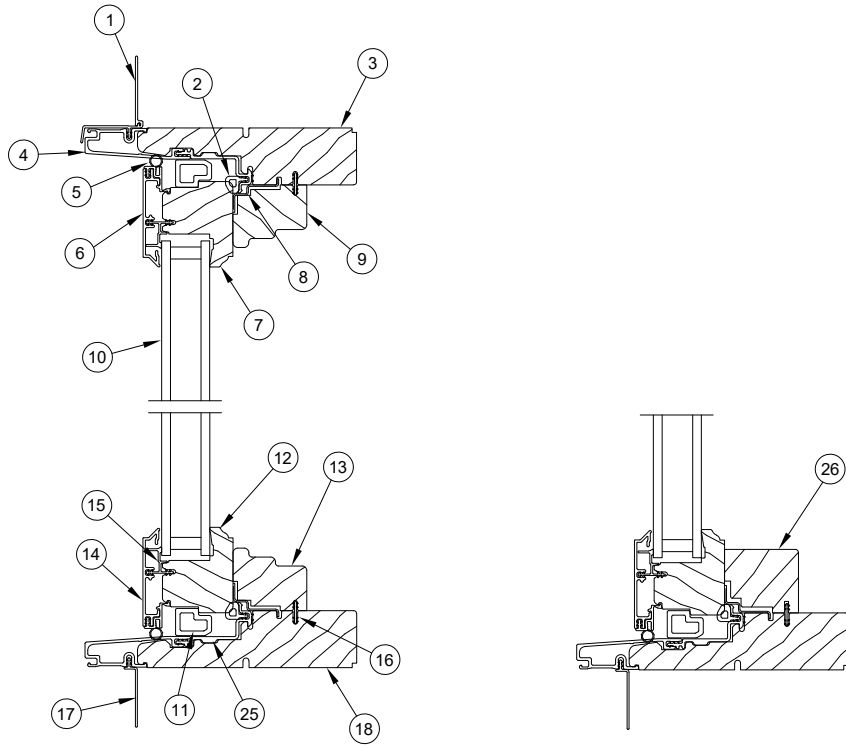


Head Jamb and Sill

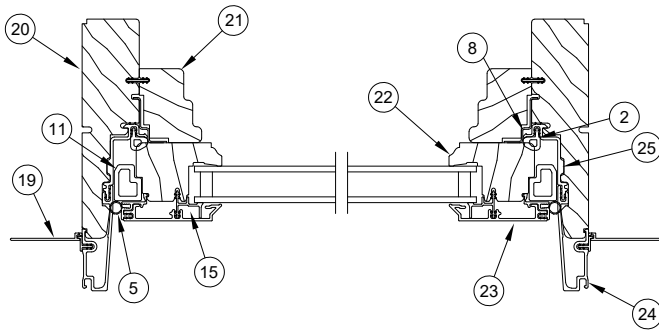
1. Head Jamb Nailing Fin and Drip Cap, V119
2. Frame Weather Strip, V1983
3. Head Jamb
4. Head Jamb Cladding
5. Sash Weather Strip (Top Rail), V1797
6. Top Rail Cladding
7. Top Rail
8. Screen Frame
9. Head Jamb Stop, W12988
10. Insulating Glass
11. Screen Mesh
12. Bottom Rail
13. Sill Cover, W10430
14. Folding Crank Handle
15. Bottom Rail Cladding
16. Sash Glazing Bead, V2843
17. Connecting Barb, V803
18. Folding Handle Cover
19. Sill Nailing Fin, V084
20. Sill
21. Jamb Nailing Fin, V104
22. Jamb
23. Jamb Stop, Operator, W12988
24. Stile
25. Stile Cladding
26. Jamb Cladding
27. Frame Thermal Break



Jamb

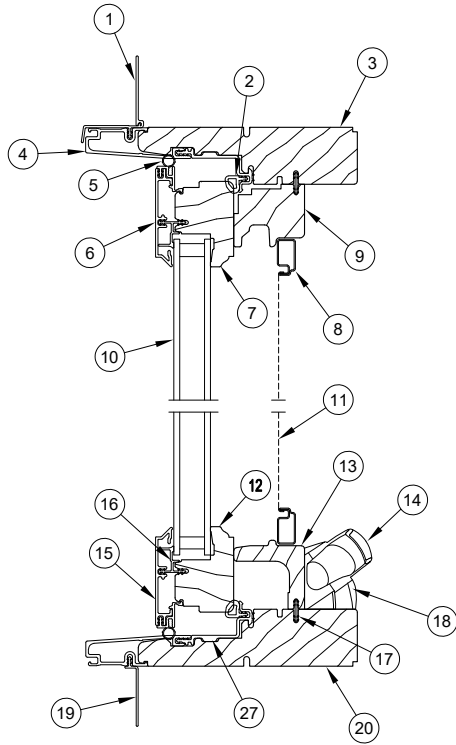


Head Jamb and Sill

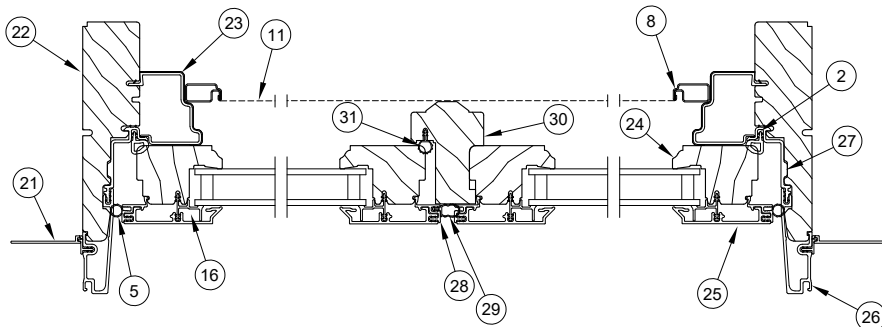


Jamb

1. Head Jamb Nailing Fin and Drip Cap, V119
2. Frame Weather Strip, V1983
3. Head Jamb
4. Head Jamb Cladding
5. Sash Weather Strip (Top Rail), V1797
6. Top Rail Cladding
7. Top Rail
8. Stationary Bracket
9. Head Jamb Stop, W9790
10. Insulating Glass
11. Stationary Sash Block, V1613
12. Bottom Rail
13. Sill Cover, Sloped Sill Option, W9790
14. Bottom Rail Cladding
15. Sash Glazing Bead, V2843
16. Connecting Barb, V803
17. Sill Nailing Fin, V084
18. Sill
19. Jamb Nailing Fin. V104
20. Jamb
21. Jamb Stop, W9790
22. Stile
23. Stile Cladding
24. Jamb Cladding
25. Frame Thermal Break
26. Sill Cover – Flat Sill Option, W10454

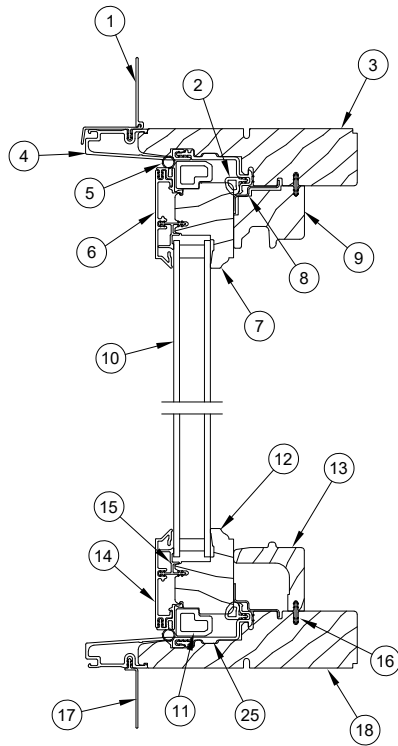


Head Jamb and Sill

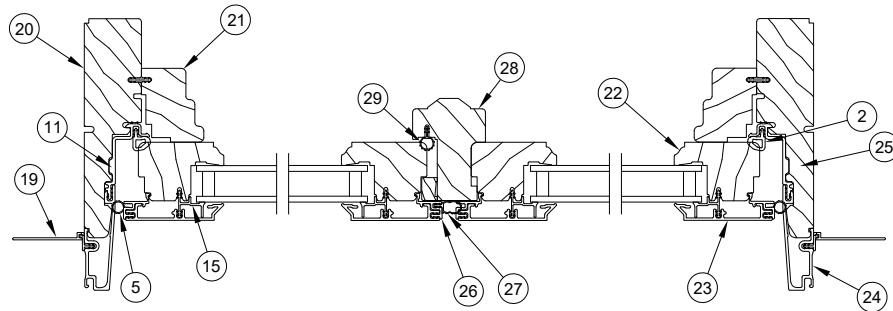


Jamb

1. Head Jamb Nailing Fin and Drip Cap, V119
2. Frame Weather Strip, V1983
3. Head Jamb
4. Head Jamb Cladding
5. Sash Weather Strip, V1797
6. Top Rail Cladding
7. Top Rail
8. Screen Frame
9. Head Jamb Stop, W9787
10. Insulating Glass
11. Screen Mesh
12. Bottom Rail
13. Sill Cover, W9788
14. Handle
15. Bottom Rail Cladding
16. Sash Glazing Bead, V2843
17. Connecting Barb, V803
18. Handle Cover
19. Sill Nailing Fin, V084
20. Sill
21. Jamb Nailing Fin, V104
22. Jamb
23. Jamb Stop, V1666
24. Stile
25. Stile Cladding
26. Jamb Cladding
27. Frame Thermal Break
28. Meeting Stile Weather Strip Carrier, V1932
29. Meeting Stile Weather Strip, V1935
30. Astragal
31. Astragal Weather Strip, V147

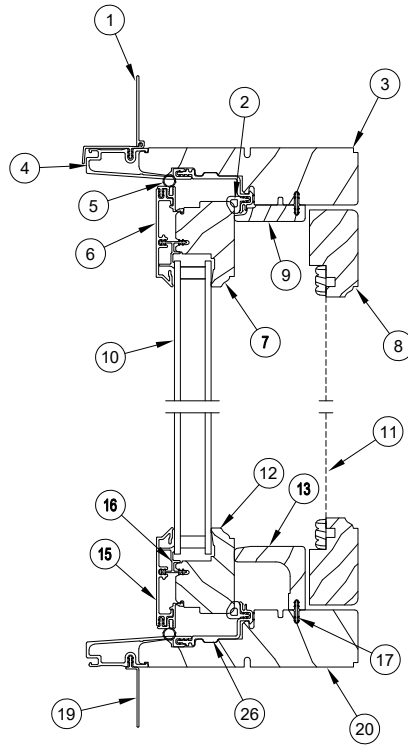


Head Jamb and Sill

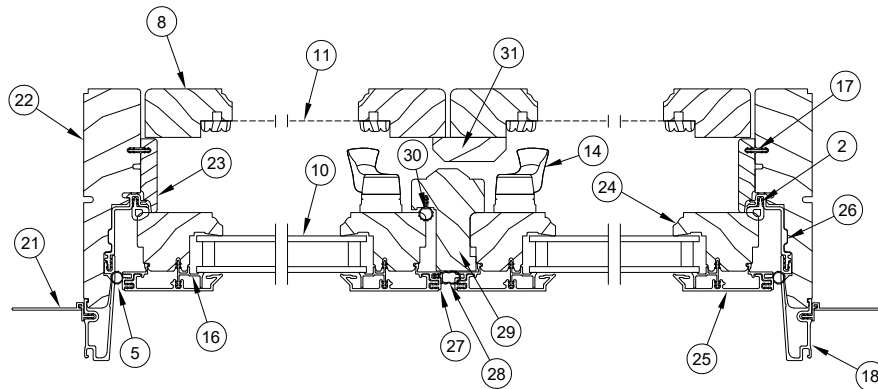


Jamb

1. Head Jamb Nailing Fin and Drip Cap, V119
2. Frame Weather Strip, V1983
3. Head Jamb
4. Head Jamb Cladding
5. Sash Weather Strip, V1797
6. Top Rail Cladding
7. Top Rail
8. Stationary Bracket
9. Head Jamb Stop, W9787
10. Insulating Glass
11. Stationary Sash Block, V1613
12. Bottom Rail
13. Sill Cover, W9788
14. Bottom Rail Cladding
15. Sash Glazing Bead, V2843
16. Connecting Barb, V803
17. Sill Nailing Fin. V084
18. Sill
19. Jamb Nailing Fin, V104
20. Jamb
21. Jamb Stop, W9790
22. Stile
23. Stile Cladding
24. Jamb Cladding
25. Frame Thermal Break
26. Meeting Stile Weather Strip Carrier, V1932
27. Meeting Stile Weather Strip, V1935
28. Astragal
29. Astragal Weather Strip, V147

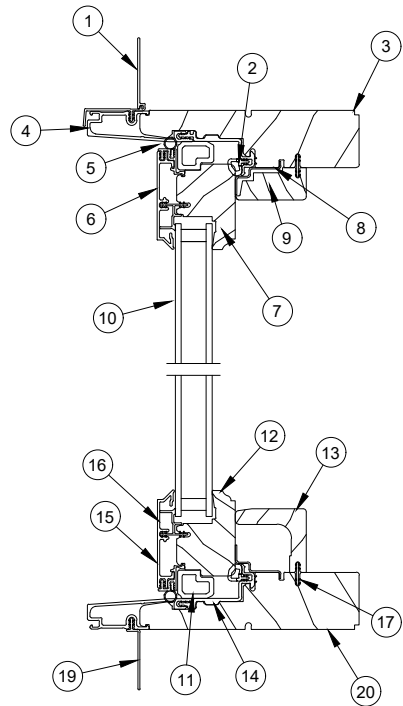


Head Jamb and Sill



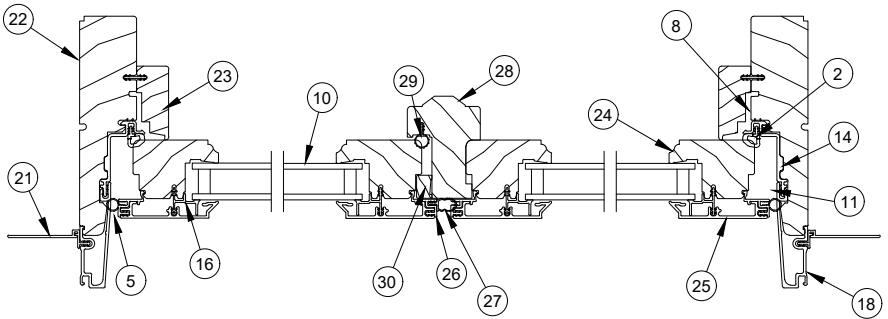
Jamb

1. Head Jamb Nailing Fin and Drip Cap, V119
2. Frame Weather Strip, V1983
3. Head Jamb
4. Head Jamb Cladding
5. Sash Weather Strip, V1797
6. Top Rail Cladding
7. Top Rail
8. Screen Frame
9. Head Jamb Stop, W10231
10. Insulating Glass
11. Screen Mesh
12. Bottom Rail
13. Sill Cover, W10329
14. Handle
15. Bottom Rail Cladding
16. Sash Glazing Bead, V2843
17. Connecting Barb, V803
18. Jamb Cladding
19. Sill Nailing Fin, V084
20. Sill
21. Jamb Nailing Fin, V104
22. Jamb
23. Jamb Stop, W10230
24. Stile
25. Stile Cladding
26. Frame Thermal Break
27. Meeting Stile Weather Strip Carrier, V1932
28. Meeting Stile Weather Strip, V1935
29. Astragal
30. Astragal Weather Strip, V147
31. Screen Astragal

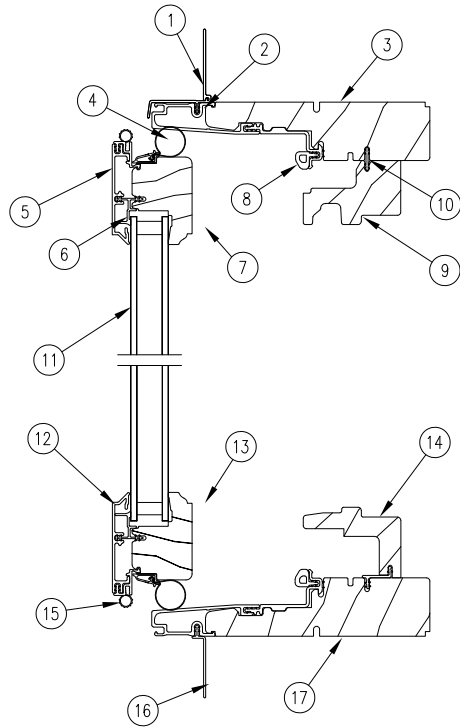


Head Jamb and Sill

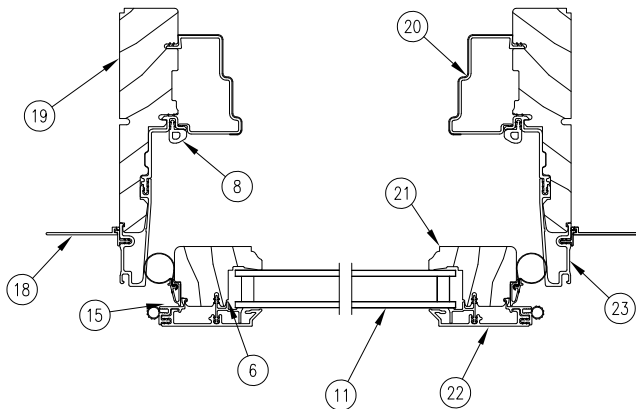
1. Head Jamb Nailing Fin and Drip Cap, V119
2. Frame Weather Strip, V1983
3. Head Jamb
4. Head Jamb Cladding
5. Sash Weather Strip, V1797
6. Top Rail Cladding
7. Top Rail
8. Stationary Bracket
9. Head Jamb Stop, W11312
10. Insulating Glass
11. Stationary Sash Block, V1613
12. Bottom Rail
13. Sill Cover, W10329
14. Frame Thermal Break
15. Bottom Rail Cladding
16. Sash Glazing Bead, V2843
17. Connecting Barb, V803
18. Jamb Cladding
19. Sill Nailing Fin, V084
20. Sill
21. Jamb Nail Fin, V104
22. Jamb
23. Jamb Stop, W11311
24. Stile
25. Stile Cladding
26. Meeting Stile Weather Strip Carrier, V1932
27. Meeting Stile Weather Strip, V1935
28. Astragal
29. Astragal Weather Strip, V147



Jamb

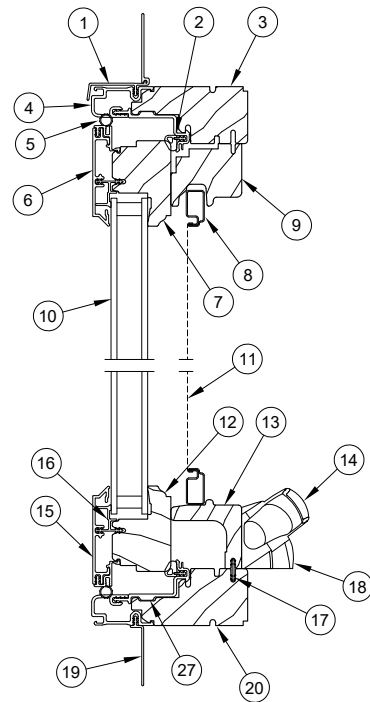


Head Jamb and Sill



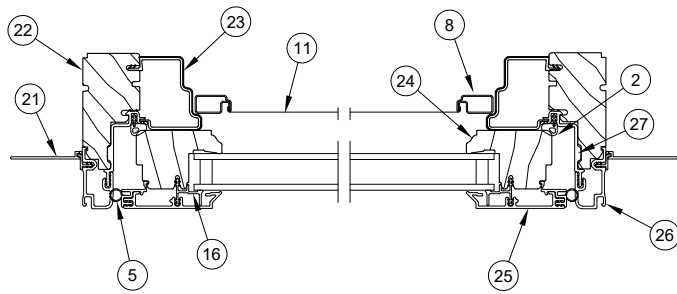
Jamb

1. Head Jamb Nailing Fin, V119
2. Head Jamb Cladding
3. Head Jamb
4. Screen Bulb Assembly
5. Top Rail Cladding
6. Sash Cladding Connector
7. Top Rail
8. Frame Weather Strip, V1983
9. Head Jamb Stop, W10670
10. Connecting Barb, V803
11. Insulating Glass
12. Bottom Rail Cladding
13. Bottom Rail
14. Sill Stop, W10667
15. Sash Weather Strip, V1797
16. Sill Nailing Fin, V084
17. Sill
18. Jamb Nailing Fin, V104
19. Jamb
20. Side Stop, V1926
21. Stile
22. Stile Cladding
23. Jamb Cladding

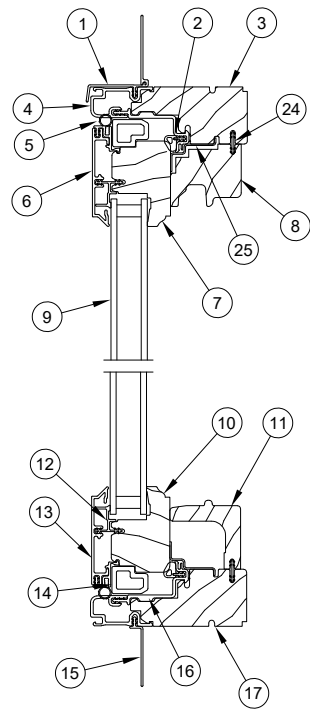


Head Jamb and Sill

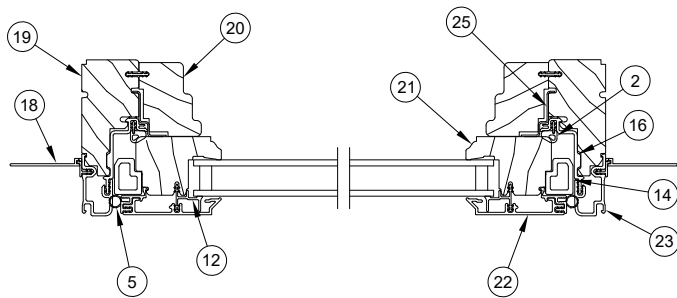
1. Head Jamb Nailing Fin and Drip Cap, V119
2. Frame Weather Strip, V1983
3. Head Jamb
4. Head Jamb Cladding
5. Sash Weather Strip, V1797
6. Top Rail Cladding
7. Top Rail
8. Screen Frame
9. Head Jamb Stop, W9787
10. Insulating Glass
11. Screen Mesh
12. Bottom Rail
13. Sill Cover, W9788
14. Folding Crank Handle
15. Bottom Rail Cladding
16. Sash Glazing Bead, V2843
17. Connecting Barb, V803
18. Folding Crank Handle Cover
19. Sill Nailing Fin, V084
20. Sill
21. Jamb Nailing Fin, V104
22. Jamb
23. Jamb Stop, V1666
24. Stile
25. Stile Cladding
26. Jamb Cladding
27. Frame Thermal Break



Jamb

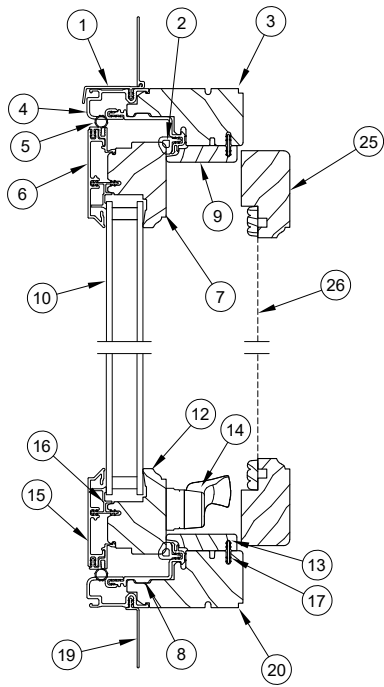


Head Jamb and Sill

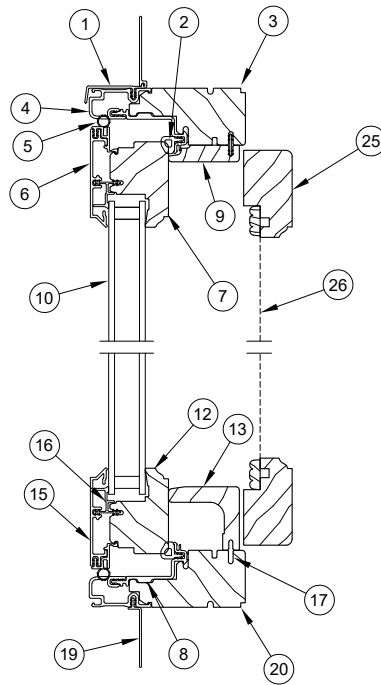


Jamb

1. Head Jamb Nailing Fin and Drip Cap, V119
2. Frame Weather Strip, V1983
3. Head Jamb
4. Head Jamb Cladding
5. Sash Weather Strip, V1797
6. Top Rail Cladding
7. Top Rail
8. Head Jamb Stop, W9787
9. Insulating Glass
10. Bottom Rail
11. Sill Cover, W9788
12. Sash Glazing Bead, V2843
13. Bottom Rail Cladding
14. Stationary Sash Block, V1613
15. Sill Nailing Fin, V084
16. Frame Thermal Break
17. Sill
18. Jamb Nailing Fin, V104
19. Jamb
20. Jamb Stop, W9790
21. Stile
22. Stile Cladding
23. Jamb Cladding
24. Connecting Barb, V803
25. Stationary Sash Bracket

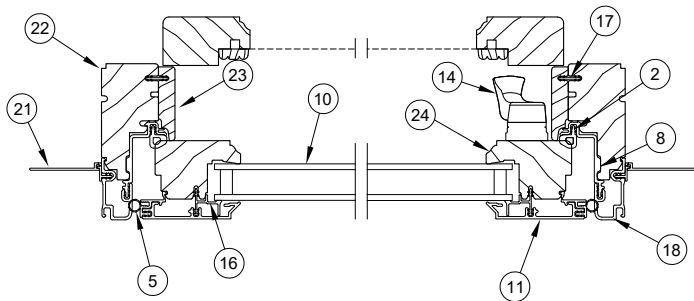


Awning Head Jamb and Sill

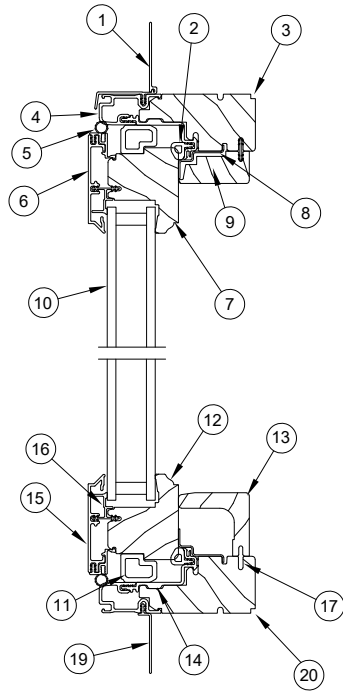


Casement Head Jamb and Sill

1. Head Jamb Nailing Fin and Drip Cap, V119
2. Frame Weather Strip, V1983
3. Head Jamb
4. Head Jamb Cladding
5. Sash Weather Strip, V1797
6. Top Rail Cladding
7. Top Rail
8. Frame Thermal Break
9. Head Jamb Stop, W10231
10. Insulating Glass
11. Stile Cladding
12. Bottom Rail
13. Sill Cover, W10329 (CA), W10231 (AWN)
14. Handle
15. Bottom Rail Cladding
16. Sash Glazing Bead, V2843
17. Connecting Barb, V803
18. Jamb Cladding
19. Sill Nailing Fin, V084
20. Sill
21. Jamb Nailing Fin, V104
22. Jamb
23. Jamb Stop, W10230
24. Stile
25. Wood Screen
26. Screen Mesh

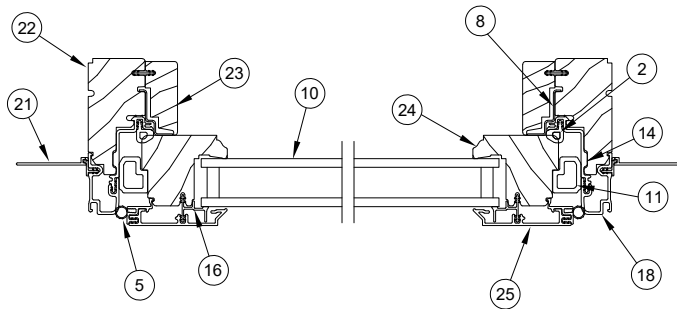


Jamb (Casement shown)

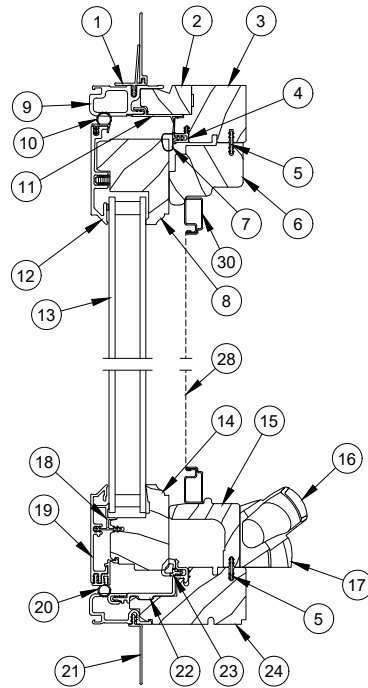


Head Jamb and Sill

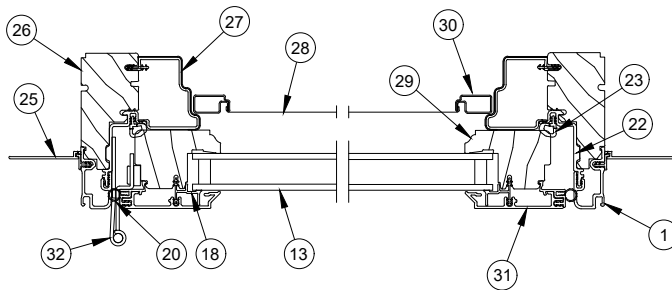
1. Head Jamb Nailing Fin and Drip Cap, V119
2. Frame Weather Strip, V1983
3. Head Jamb
4. Head Jamb Cladding
5. Sash Weather Strip, V1797
6. Top Rail Cladding
7. Top Rail
8. Stationary Bracket
9. Head Jamb Stop, W11312
10. Insulating Glass
11. Stationary Sash Block, V1613
12. Bottom Rail
13. Sill Cover, W10329
14. Frame Thermal Break
15. Bottom Rail Cladding
16. Sash Glazing Bead, V2843
17. Connecting Barb, V803
18. Jamb Cladding
19. Sill Nailing Fin, V084
20. Sill
21. Jamb Nailing Fin, V104
22. Jamb
23. Jamb Stop, W11311
24. Stile
25. Stile Cladding



Jamb (Casement shown)

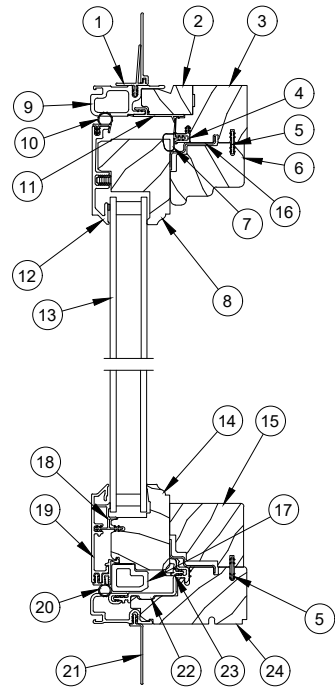


Head Jamb and Sill



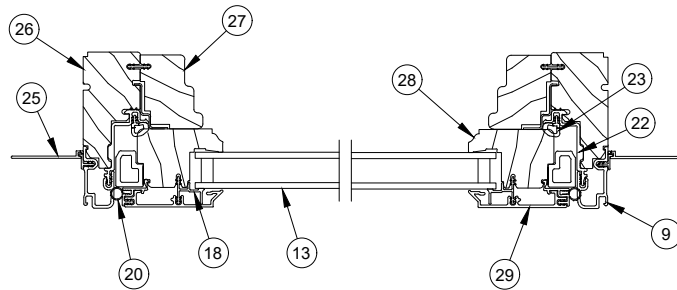
Jamb

1. Head Jamb Nailing Fin and Drip Cap, V110
2. Head Jamb Exterior Component
3. Head Jamb Interior Component
4. Head Jamb Vinyl Kerf
5. Connecting Barb, V803
6. Head Jamb Stop, W9767
7. Head Jamb Weather Strip, V1725
8. Top Rail
9. Frame Cladding
10. Sash Weather Strip (Top Rail), V1655
11. Head Jamb Thermal Break
12. Top Rail Cladding
13. Insulating Glass
14. Bottom Rail
15. Sill Cover, W10430
16. Folding Crank Handle
17. Folding Crank Handle Cover
18. Sash Glazing Bead, V2843
19. Bottom Rail Cladding
20. Sash Weather Strip, V1797
21. Sill Nailing Fin, V084
22. Frame Thermal Break
23. Frame Weather Strip, V1983
24. Sill
25. Jamb Nailing Fin, V104
26. Frame
27. Jamb Side Stop, V1666
28. Screen Mesh
29. Stile
30. Screen Frame
31. Stile Cladding
32. Butt Hinge

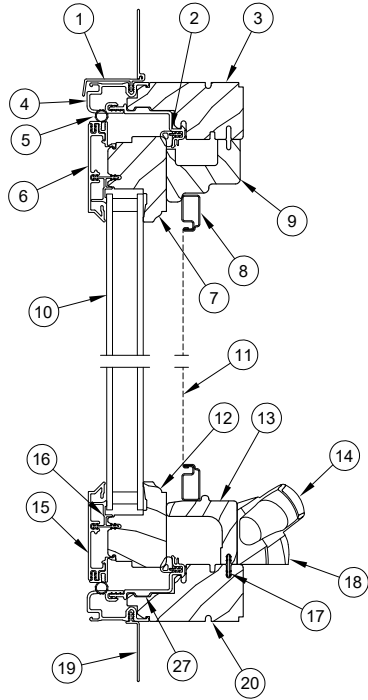


Head Jamb and Sill

1. Head Jamb Nailing Fin and Drip Cap, V110
2. Head Jamb Exterior Component
3. Head Jamb Interior Component
4. Head Jamb Vinyl Kerf
5. Connecting Barb, V803
6. Head Jamb Stop, W9767
7. Head Jamb Weather Strip, V1725
8. Top Rail
9. Frame Cladding
10. Sash Weather Strip (Top Rail), V1655
11. Head Jamb Thermal Break
12. Top Rail Cladding
13. Insulating Glass
14. Bottom Rail
15. Sill Cover, W10454
16. Stationary Bracket
17. Stationary Sash Block, V1613
18. Sash Glazing Bead, V2843
19. Bottom Rail Cladding
20. Sash Weather Strip, V1797
21. Sill Nailing Fin, V084
22. Frame Thermal Break
23. Frame Weather Strip, V1983
24. Sill
25. Jamb Nailing Fin, V104
26. Frame
27. Jamb Side Stop, W9790
28. Stile
29. Stile Cladding

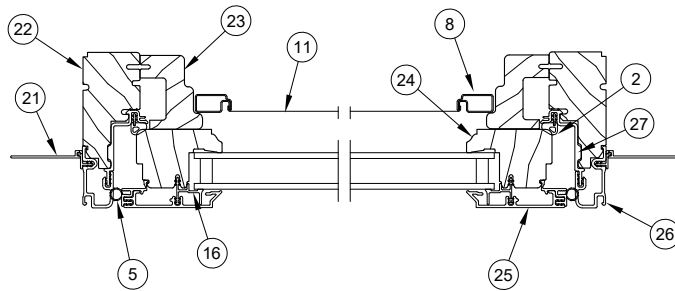


Jamb

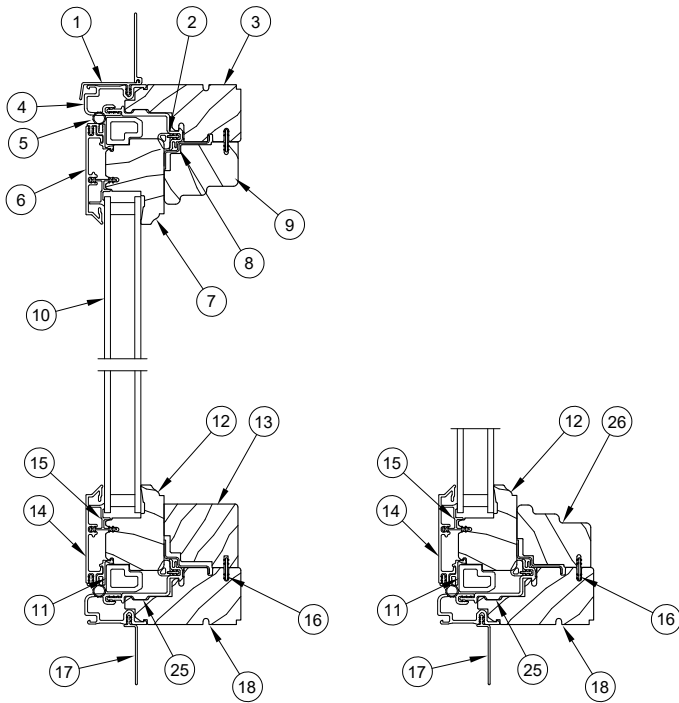


Head Jamb and Sill

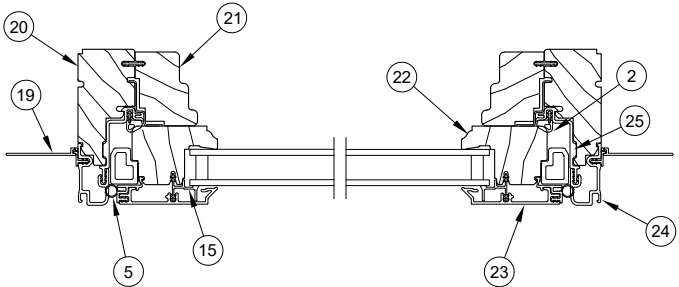
1. Head Jamb Nailing Fin and Drip Cap, V119
2. Frame Weather Strip, V1983
3. Head Jamb
4. Head Jamb Cladding
5. Sash Weather Strip (Top Rail), V1797
6. Top Rail Cladding
7. Top Rail
8. Screen Frame
9. Head Jamb Stop, W12988
10. Insulating Glass
11. Screen Mesh
12. Bottom Rail
13. Sill Cover, W10430
14. Folding Crank Handle
15. Bottom Rail Cladding
16. Sash Glazing Bead, V2843
17. Connecting Barb, V803
18. Folding Crank Handle Cover
19. Sill Nailing Fin, V084
20. Sill
21. Jamb Nailing Fin, V104
22. Jamb
23. Jamb Stop, W12988
24. Stile
25. Stile Cladding
26. Jamb Cladding
27. Frame Thermal Break



Jamb

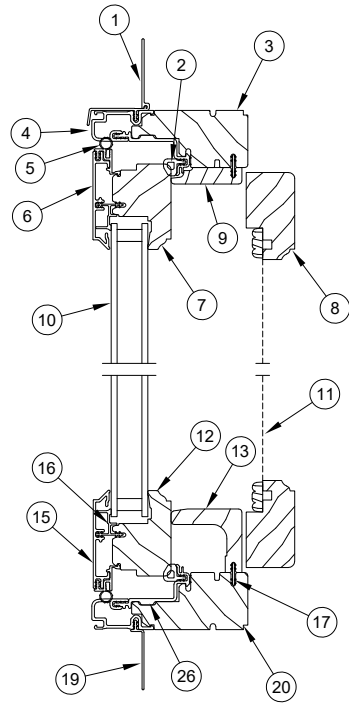


Head Jamb and Sill

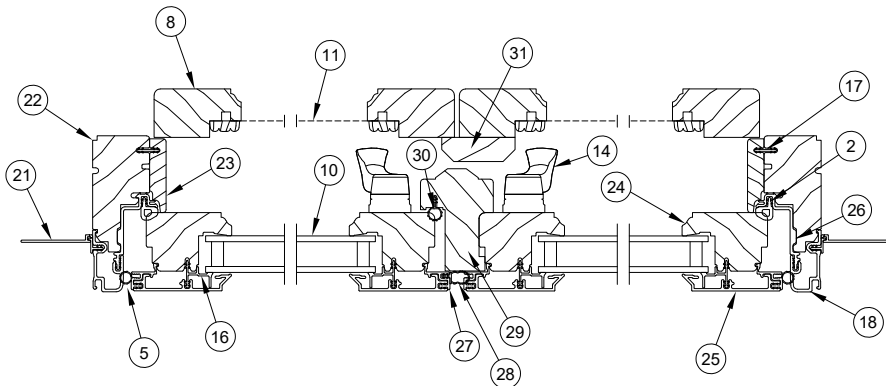


Jamb

1. Head Jamb Nailing Fin and Drip Cap, V119
2. Frame Weather Strip, V1983
3. Head Jamb
4. Head Jamb Cladding
5. Sash Weather Strip (Top Rail), V1797
6. Top Rail Cladding
7. Top Rail
8. Stationary Bracket
9. Head Jamb Stop, W9790
10. Insulating Glass
11. Stationary Sash Block, V1613
12. Bottom Rail
13. Sill Cover, Flat Sill Option, W10454
14. Bottom Rail Cladding
15. Sash Glazing Bead, V2843
16. Connecting Barb, V803
17. Sill Nailing Fin, V084
18. Sill
19. Jamb Nailing Fin, V104
20. Jamb
21. Jamb Stop, W9790
22. Stile
23. Stile Cladding
24. Jamb Cladding
25. Frame Thermal Break
26. Sill Cover, Sloped Sill Option, W9790

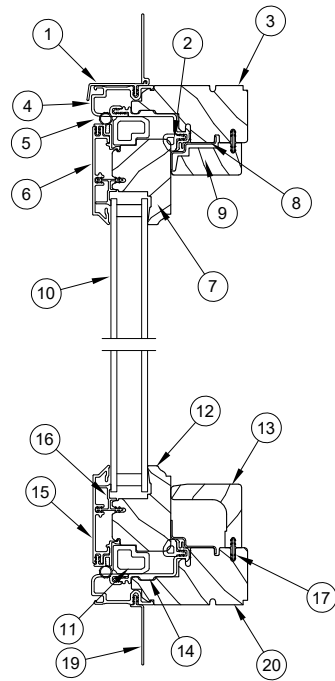


Head Jamb and Sill



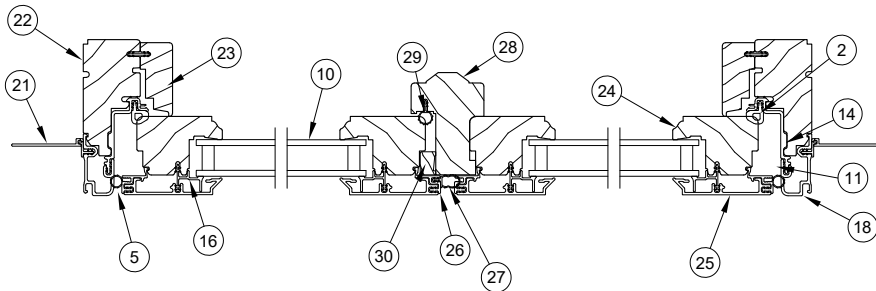
Jamb

1. Head Jamb Nailing Fin and Drip Cap, V119
2. Frame Weather Strip, V1983
3. Head Jamb
4. Head Jamb Cladding
5. Sash Weather Strip, V1797
6. Top Rail Cladding
7. Top Rail
8. Screen Frame
9. Head Jamb Stop, W10231
10. Insulating Glass
11. Screen Mesh
12. Bottom Rail
13. Sill Cover, W10329
14. Handle
15. Bottom Rail Cladding
16. Sash Glazing Bead, V2843
17. Connecting Barb, V803
18. Jamb Cladding
19. Sill Nailing Fin, V084
20. Sill
21. Jamb Nailing Fin, V104
22. Jamb
23. Jamb Stop, W10230
24. Stile
25. Stile Cladding
26. Frame Thermal Break
27. Meeting Stile Weather Strip Carrier, V1932
28. Meeting Stile Weather Strip, V1935
29. Astragal
30. Astragal Weather Strip, V147
31. Screen Astragal

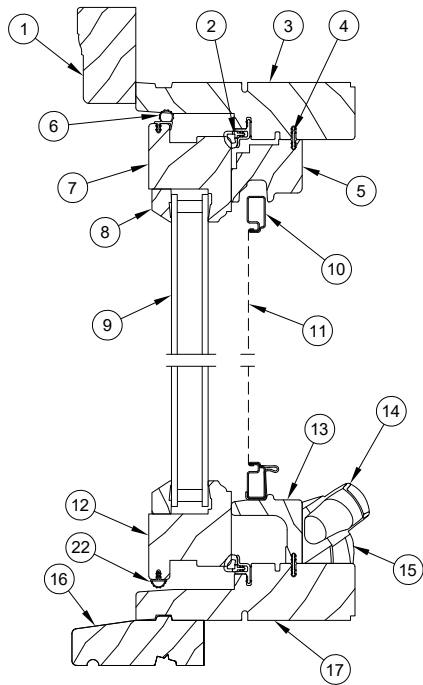


Head Jamb and Sill

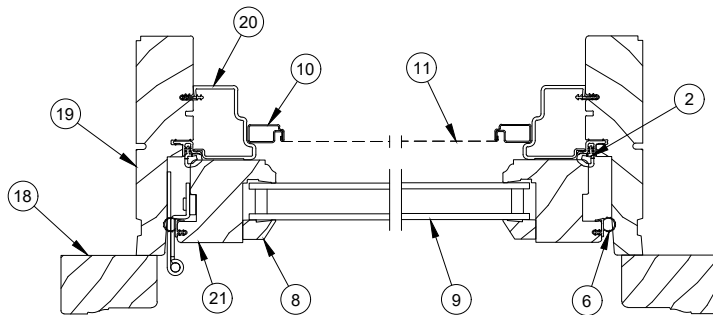
1. Head Jamb Nailing Fin and Drip Cap, V119
2. Frame Weather Strip, V1983
3. Head Jamb
4. Head Jamb Cladding
5. Sash Weather Strip, V1797
6. Top Rail Cladding
7. Top Rail
8. Stationary Bracket
9. Head Jamb Stop, W11312
10. Insulating Glass
11. Stationary Sash Block, V1613
12. Bottom Rail
13. Sill Cover, W10329
14. Frame Thermal Break
15. Bottom Rail Cladding
16. Sash Glazing Bead, V2843
17. Connecting Barb, V803
18. Jamb Cladding
19. Sill Nailing Fin, V084
20. Sill
21. Jamb Nailing Fin, V104
22. Jamb
23. Jamb Stop, W11311
24. Stile
25. Stile Cladding
26. Meeting Stile Weather Strip Carrier, V1932
27. Meeting Stile Weather Strip, V1935
28. Astragal
29. Astragal Weather Strip, V147



Jamb

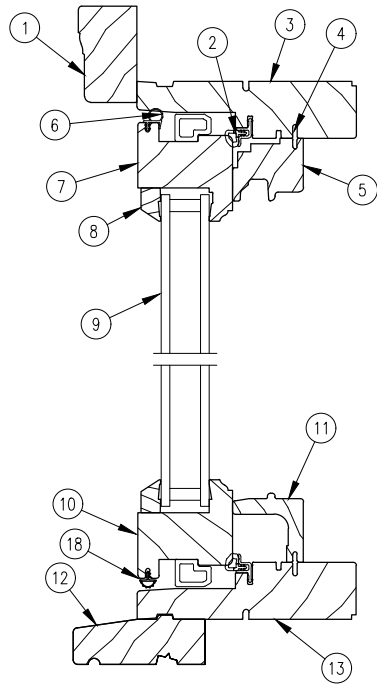


Head Jamb and Sill



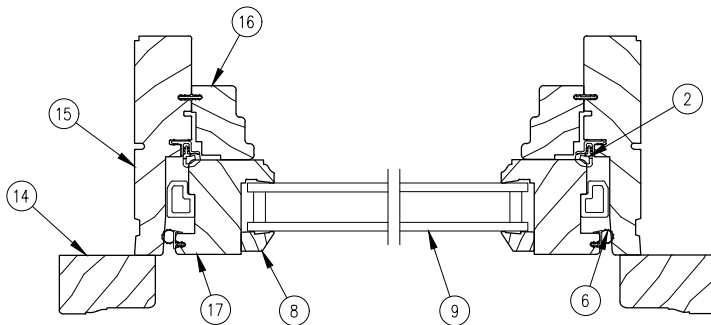
Jamb

1. Head Jamb Brick Mould Casing, W1047
2. Frame Weather Strip, V1983
3. Head Jamb
4. Connecting Barb, V803
5. Head Jamb Stop, W9787
6. Sash Weather Strip, V1655
7. Top Rail
8. Glazing Bead, W10384
9. Insulating Glass
10. Screen Frame
11. Screen Mesh
12. Bottom Rail
13. Hardware Cover, W9788
14. Folding Crank Handle
15. Folding Crank Cover
16. Subsill, W10333
17. Sill
18. Jamb Brick Mould Casing, W1047
19. Jamb
20. Jamb Stop, V1666
21. Stile
22. Sash Weather Strip, V2512

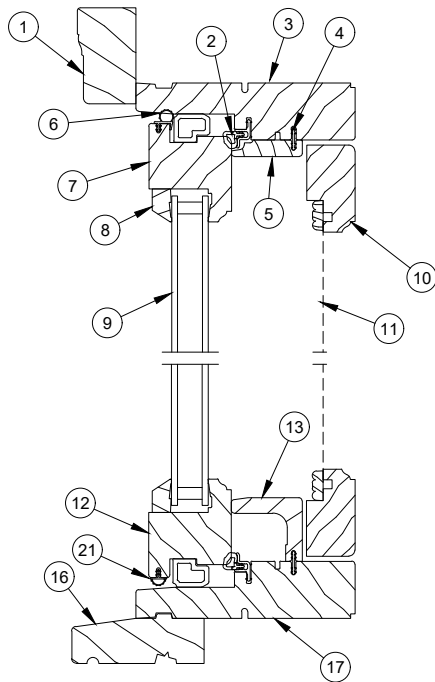


Head Jamb and Sill

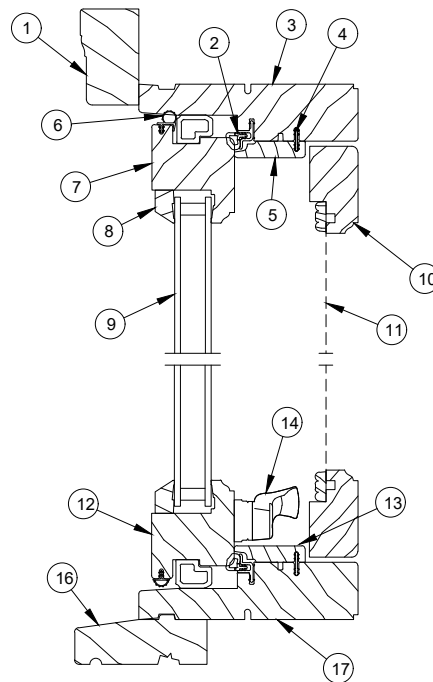
1. Head Jamb Brick Mould Casing, W1047
2. Frame Weather Strip, V1983
3. Head Jamb
4. Connecting Barb, V803
5. Head Jamb Stop, W9787
6. Sash Weather Strip, V1655
7. Top Rail
8. Glazing Bead, W10384
9. Insulating Glass
10. Bottom Rail
11. Hardware Cover, W9788
12. Subsill, W10333
13. Sill
14. Jamb Brick Mould Casing, W1047
15. Jamb
16. Jamb Stop, W9790
17. Stile
18. Sash Weather Strip, V2512



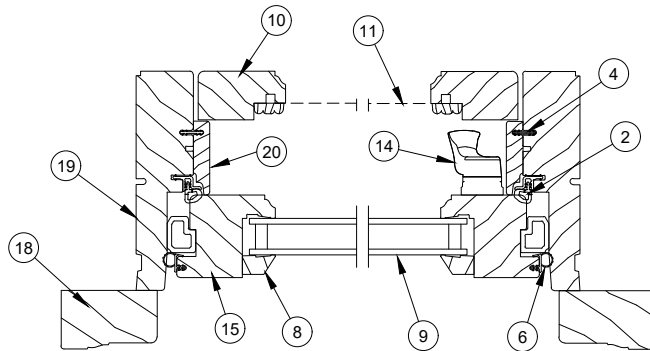
Jamb



Head Jamb and Sill (Casement)

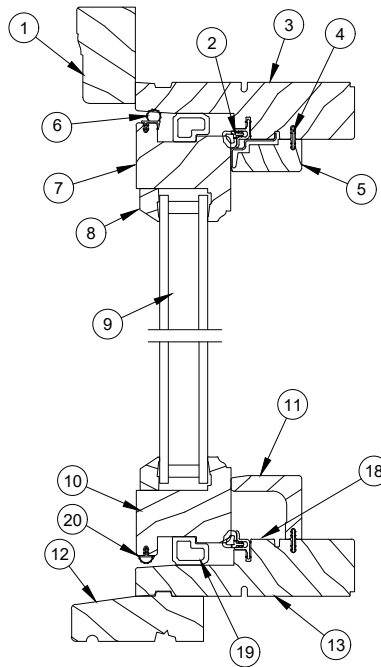


Head Jamb and Sill (Awning)



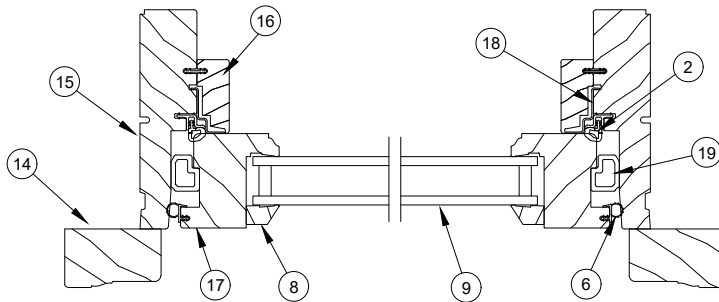
Jamb (Casement shown)

1. Head Jamb Brick Mould Casing, W1047
2. Frame Weather Strip, V1983
3. Head Jamb
4. Connecting Barb, V803
5. Head Jamb Stop, W10231
6. Sash Weather Strip, V1655
7. Top Rail
8. Glazing Bead, W10384
9. Insulating Glass
10. Screen Frame
11. Screen Mesh
12. Bottom Rail
13. Sill Cover, W10329 (CA), W10231 (AWN)
14. Handle
15. Stile
16. Subsill, W10333
17. Sill
18. Jamb Brick Mould Casing, W1047
19. Jamb
20. Jamb Stop, W10230
21. Sash Weather Strip, V2512

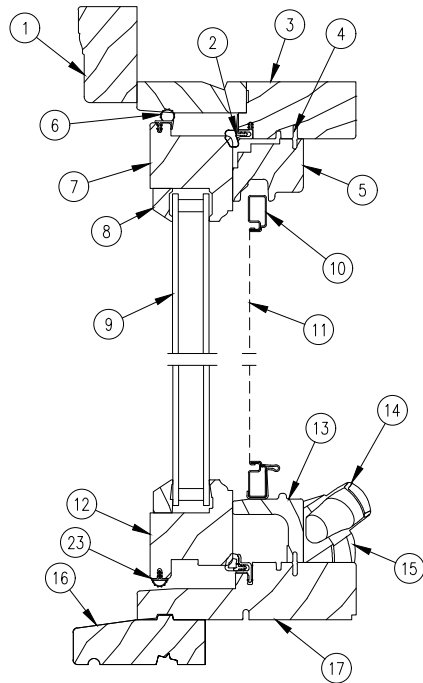


Head Jamb and Sill (Casement)

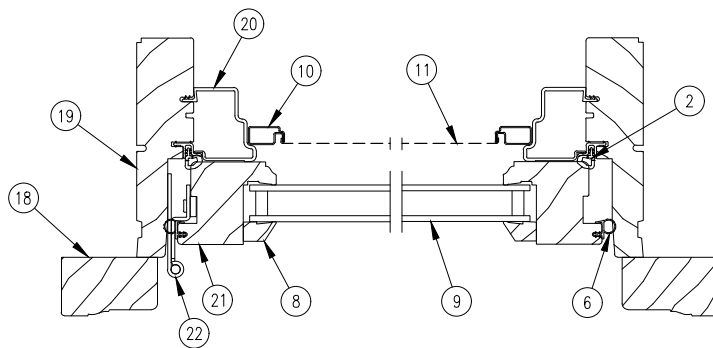
1. Head Jamb Brick Mould Casing, W1047
2. Frame Weather Strip, V1983
3. Head Jamb
4. Connecting Barb, V803
5. Head Jamb Stop, W11312
6. Sash Weather Strip, V1655
7. Top Rail
8. Glazing Bead, W10384
9. Insulating Glass
10. Bottom Rail
11. Sill Cover, W10329
12. Subsill, W10333
13. Sill
14. Jamb Brick Mould Casing, W1047
15. Jamb
16. Jamb Stop, W11311
17. Stile
18. Stationary Bracket
19. Stationary Sash Block, V1613
20. Sash Weather Strip, V2512



Jamb

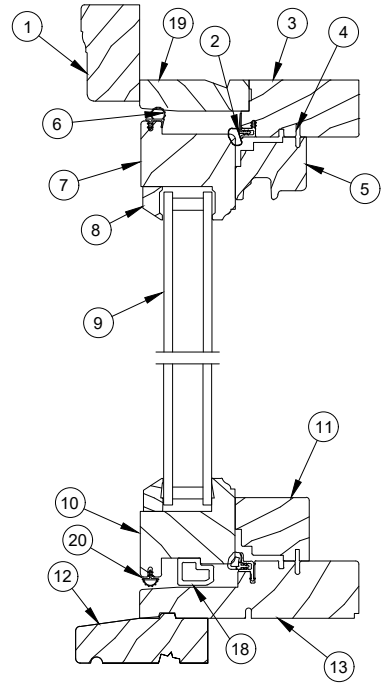


Head Jamb and Sill



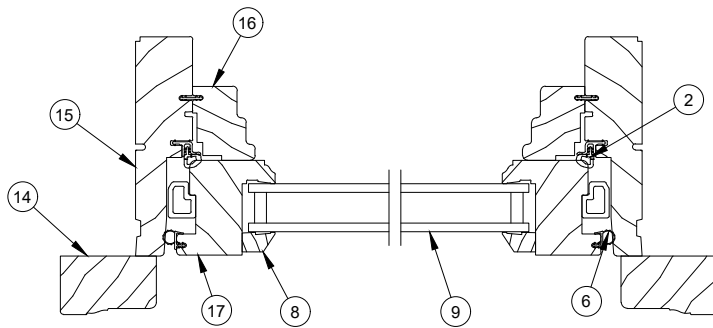
Jamb

1. Head Jamb Brick Mould Casing, W1047
2. Head Jamb Weather Strip, V1725
3. Head Jamb
4. Connecting Barb, V803
5. Head Jamb Stop, W9767
6. Sash Weather Strip, V1655
7. Top Rail
8. Glazing Bead, W10384
9. Insulating Glass
10. Screen Frame
11. Screen Mesh
12. Bottom Rail
13. Sill Cover, W10430
14. Folding Crank Handle
15. Handle Cover
16. Subsill, W10333
17. Sill
18. Jamb Brick Mould Casing, W1047
19. Jamb
20. Jamb Stop, V1666
21. Stile
22. Butt Hinge
23. Sash Weather Strip, V2512

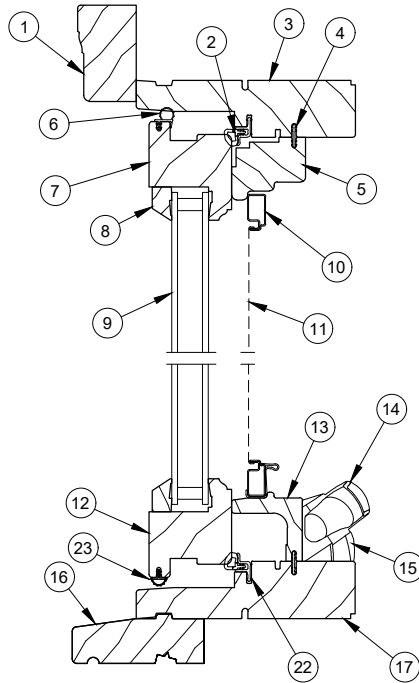


Head Jamb and Sill

1. Head Jamb Brick Mould Casing, W1047
2. Head Jamb Weather Strip, V1725
3. Head Jamb
4. Connecting Barb, V803
5. Head Jamb Stop, W9767
6. Sash Weather Strip, V1655
7. Top Rail
8. Glazing Bead, W10384
9. Insulating Glass
10. Bottom Rail
11. Sill Cover, W10454
12. Subsill, W10333
13. Sill
14. Jamb Brick Mould Casing, W1047
15. Jamb
16. Jamb Stop, W9790
17. Stile
18. Stationary Sash Block, V1613
19. Head Jamb Exterior Component
20. Sash Weather Strip, V2512

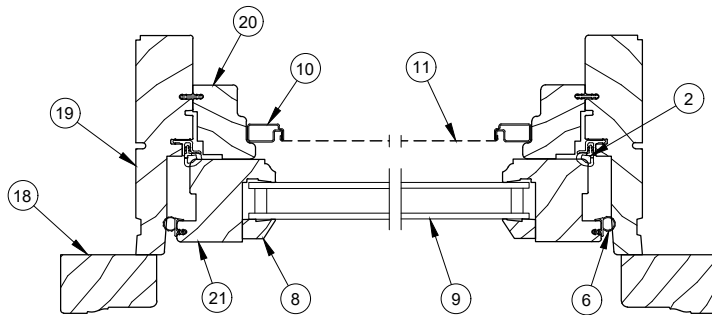


Jamb

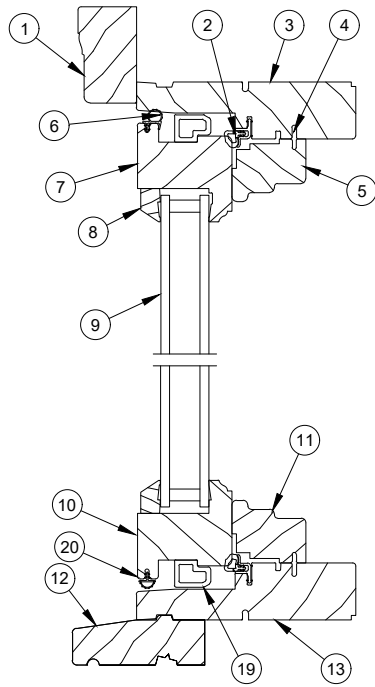


Head Jamb and Sill

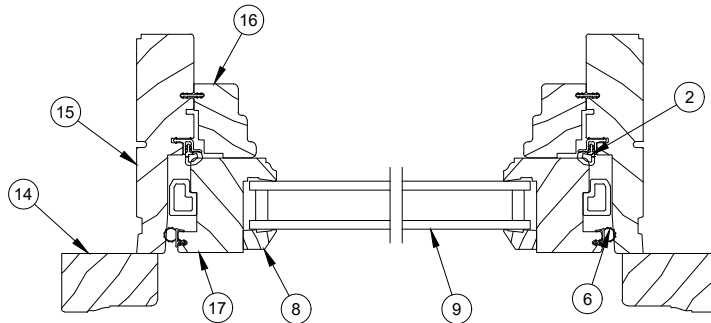
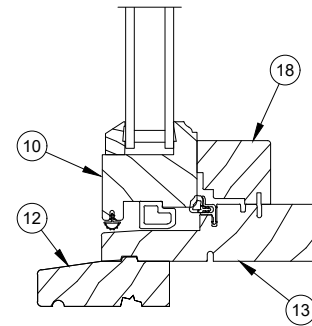
1. Head Jamb Brick Mould Casing, W1047
2. Frame Weather Strip, V1983
3. Head Jamb
4. Connecting Barb, V803
5. Head Jamb Stop, W9790
6. Sash Weather Strip, V1655
7. Top Rail
8. Glazing Bead, W10384
9. Insulating Glass
10. Screen Frame
11. Screen Mesh
12. Bottom Rail
13. Sill Cover, W10430
14. Folding Handle
15. Folding Handle Cover
16. Subsill, W10333
17. Sill
18. Jamb Brick Mould Casing, W1047
19. Jamb
20. Jamb Stop, W9790
21. Stile
22. Frame Weather Strip, V1983
23. Sash Weather Strip, V2512



Jamb

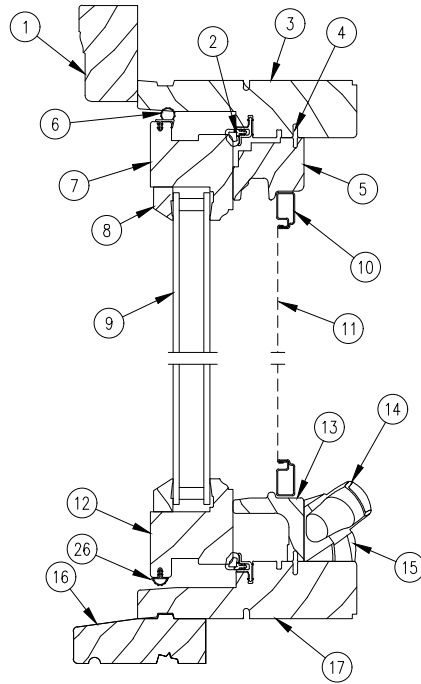


Head Jamb and Sill

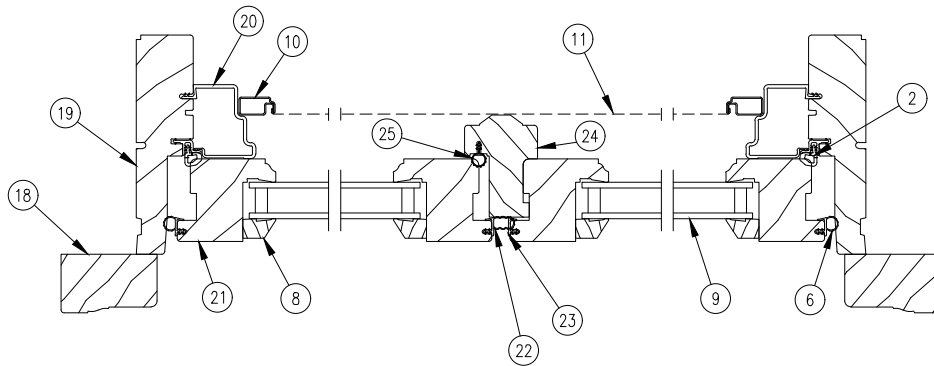


Jamb

1. Head Jamb Brick Mould Casing, W1047
2. Frame Weather Strip, V1983
3. Head Jamb
4. Connecting Barb, V803
5. Head Jamb Stop, W9790
6. Sash Weather Strip, V1655
7. Top Rail
8. Glazing Bead, W10384
9. Insulating Glass
10. Bottom Rail
11. Sill Cover – Sloped Option, W9790
12. Subsill, W10333
13. Sill
14. Jamb Brick Mould Casing, W1047
15. Jamb
16. Jamb Stop, W9790
17. Stile
18. Sill Cover – Flat Option, W10454
19. Stationary Sash Block, V1613
20. Sash Weather Strip, V2512

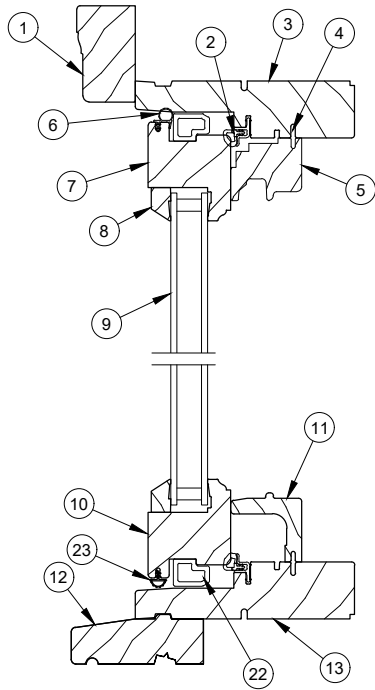


Head Jamb and Sill

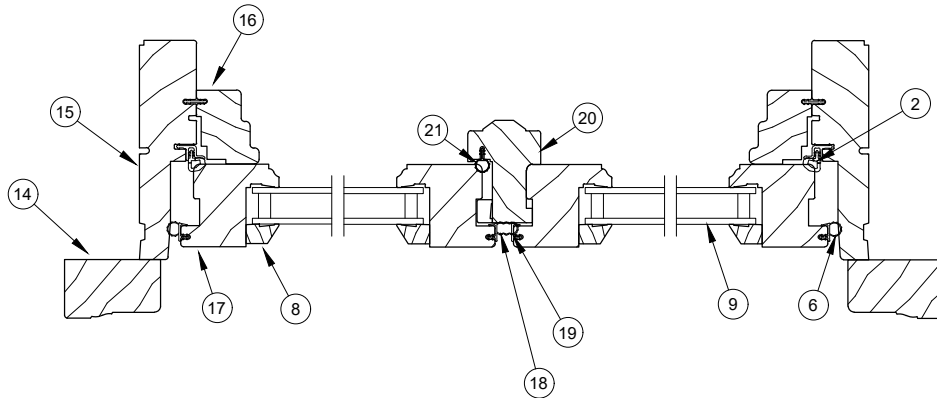


Jamb

1. Head Jamb Brick Mould Casing, W1047
2. Frame Weather Strip, V1983
3. Head Jamb
4. Connecting Barb, V803
5. Head Jamb Stop, W9787
6. Sash Weather Strip, V1655
7. Top Rail
8. Glazing Bead, W10384
9. Insulating Glass
10. Screen Frame
11. Screen Mesh
12. Bottom Rail
13. Sill Cover, W9788
14. Handle
15. Handle Cover
16. Subsill, W10333
17. Sill
18. Jamb Brick Mould Casing, W1047
19. Jamb
20. Jamb Stop, V1666
21. Stile
22. Meeting Stile Weather Strip, V1937
23. Meeting Stile Weather Strip Carrier, V1936
24. Astragal
25. Astragal Weather Strip, V147
26. Sash Weather Strip, V2512

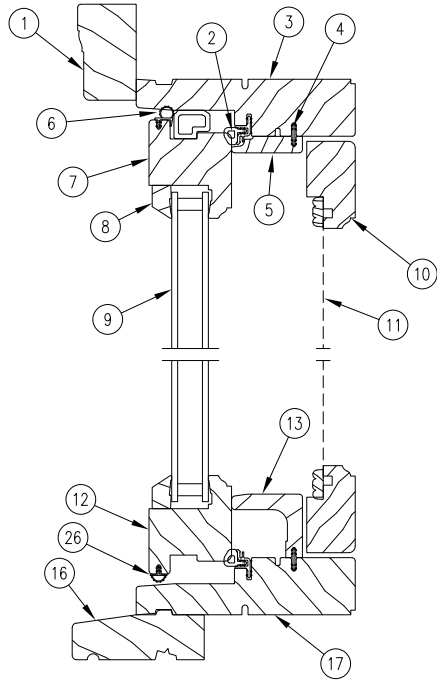


Head Jamb and Sill

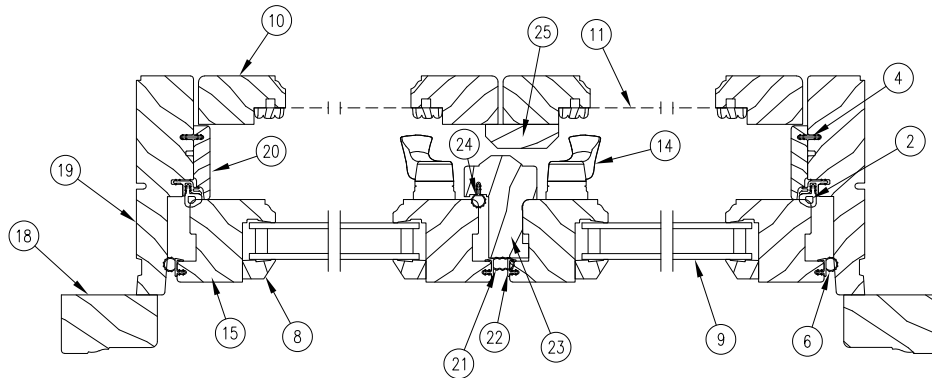


Jamb

1. Head Jamb Brick Mould Casing, W1047
2. Frame Weather Strip, V1983
3. Head Jamb
4. Connecting Barb, V803
5. Head Jamb Stop, W9787
6. Sash Weather Strip, V1655
7. Top Rail
8. Glazing Bead, W10384
9. Insulating Glass
10. Bottom Rail
11. Sill Cover, W9788
12. Subsill, W10333
13. Sill
14. Jamb Brick Mould Casing, W1047
15. Jamb
16. Jamb Stop, W9790
17. Stile
18. Meeting Stile Weather Strip, V1937
19. Meeting Stile Weather Strip Carrier, V1936
20. Astragal
21. Astragal Weather Strip, V147
22. Stationary Sash Block, V1613
23. Sash Weather Strip, V2512

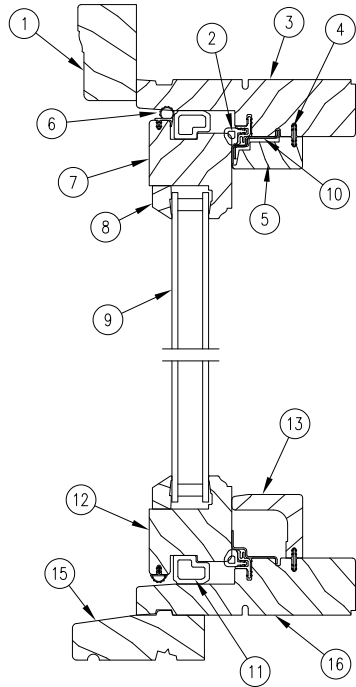


Head Jamb and Sill



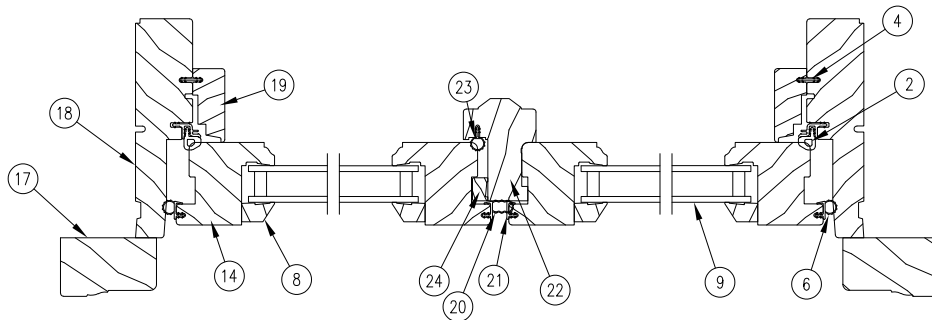
Jamb

1. Head Jamb Brick Mould Casing, W1047
2. Frame Weather Strip, V1983
3. Head Jamb
4. Connecting Barb, V803
5. Head Jamb Stop, W10231
6. Sash Weather Strip, V1655
7. Top Rail
8. Glazing Bead, W10384
9. Insulating Glass
10. Screen Frame
11. Screen Mesh
12. Bottom Rail
13. Sill Cover, W10329
14. Handle
15. Stile
16. Subsill, W10333
17. Sill
18. Jamb Brick Mould Casing, W1047
19. Jamb
20. Jamb Stop, W10230
21. Active Meeting Stile Weather Strip, V1937
22. Meeting Stile Weather Strip Carrier, V1936
23. Astragal
24. Astragal Weather Strip, V147
25. Screen Astragal
26. Sash Weather Strip, V2512



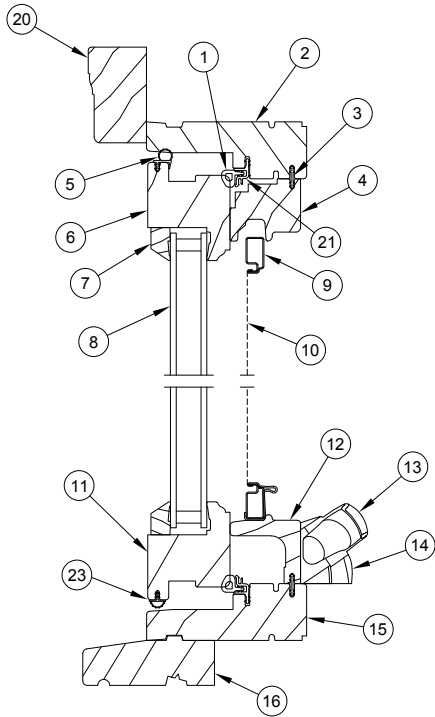
Head Jamb and Sill

1. Head Jamb Brick Mould Casing, W1047
2. Frame Weather Strip, V1983
3. Head Jamb
4. Connecting Barb, V803
5. Head Jamb Stop, W11312
6. Sash Weather Strip, V1655
7. Top Rail
8. Glazing Bead, W10384
9. Insulating Glass
10. Stationary Bracket
11. Stationary Sash Block, V1613
12. Bottom Rail
13. Sill Cover, W10329
14. Stile
15. Subsill, W10333
16. Sill
17. Jamb Brick Mould Casing, W1047
18. Jamb
19. Jamb Stop, W11311
20. Active Meeting Stile Weather Strip, V1937
21. Meeting Stile Weather Strip Carrier, V1936
22. Astragal
23. Astragal Weather Strip, V147
24. Sash Interlock Block
25. Sash Weather Strip, V2512

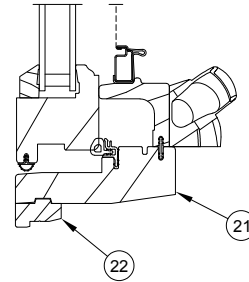


Jamb

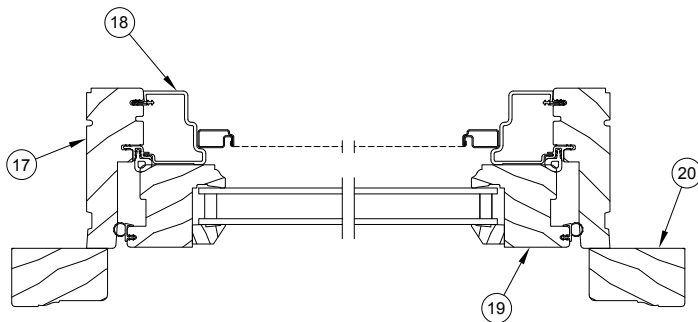
DISC-NA 8/30/21



Head Jamb and Sill



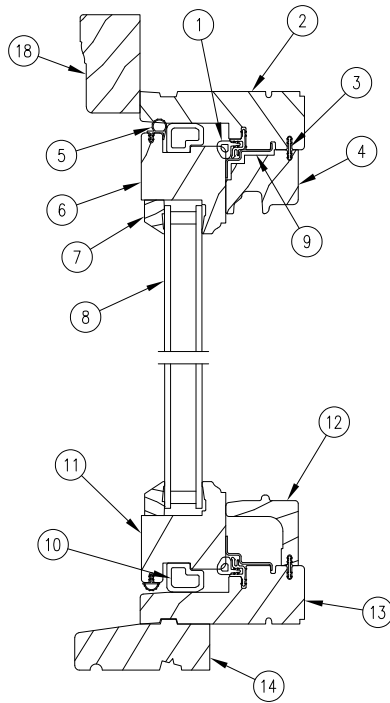
14 Degree Sloped Sill Option



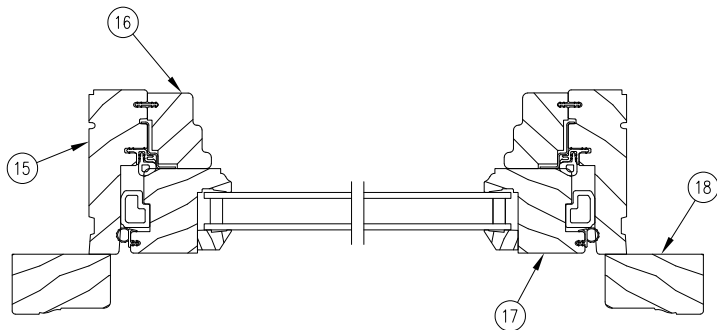
Jamb

1. Frame Weather Strip, V1983
2. Head Jamb
3. Connecting Barb, V803
4. Head Jamb Stop, W9787
5. Sash Weather Strip, V1655
6. Top Rail
7. Glazing Bead, W10384
8. Insulating Glass
9. Screen Frame
10. Screen Mesh
11. Bottom Rail
12. Hardware Cover, W9788
13. Folding Crank Handle
14. Folding Crank Cover
15. Sill
16. Subsill, W10333
17. Jamb
18. Jamb Stop, V1666
19. Stile
20. Brick Mould Casing, W1047
21. 14 Degree Sloped Sill Option
22. Sill Riser, W11076
23. Sash Weather Strip, V2512

DISC-NA 8/30/21



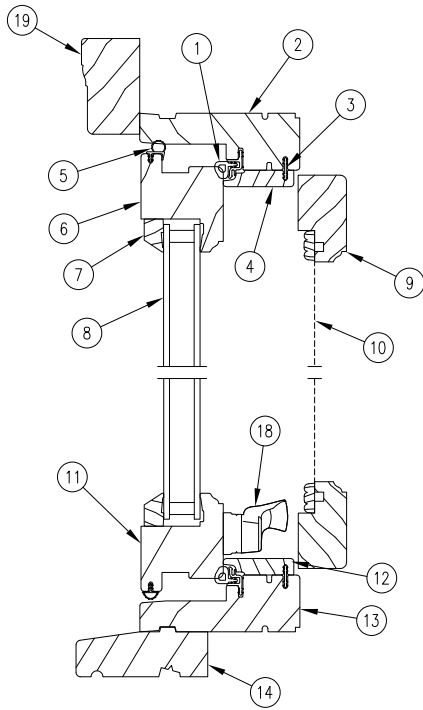
Head Jamb and Sill



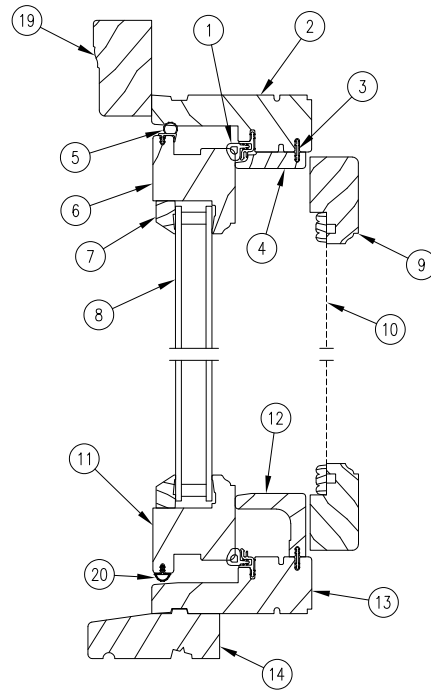
Jamb

1. Frame Weather Strip, V1983
2. Head Jamb
3. Connecting Barb, V803
4. Head Jamb Stop, W9787
5. Sash Weather Strip, V1655
6. Top Rail
7. Glazing Bead, W10384
8. Insulating Glass
9. Stationary Bracket
10. Stationary Sash Block, V1613
11. Bottom Rail
12. Sill Cover, W9788
13. Sill
14. Subsill, W10333
15. Jamb
16. Jamb Stop, W9790
17. Stile
18. Brick Mould Casing, W1047
19. Bottom Rail Weatherstrip, V2512

DISC-NA 8/30/21



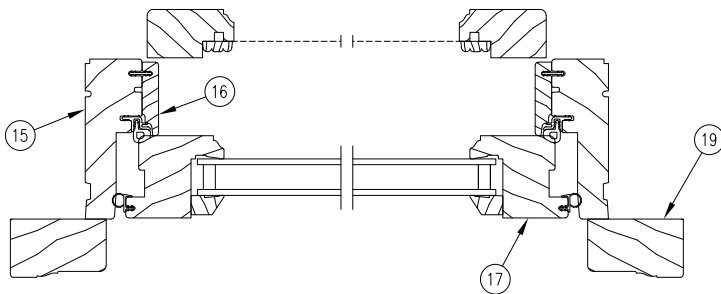
Awning



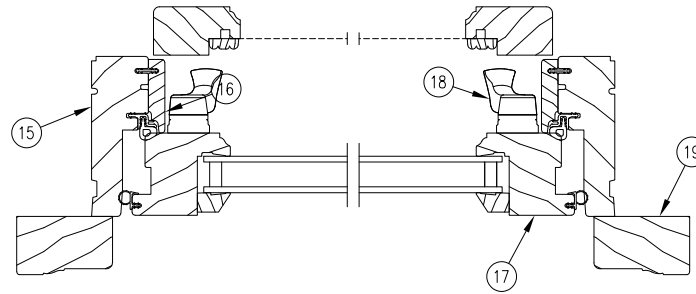
Casement

Head Jamb and Sill

1. Frame Weather Strip, V1983
2. Head Jamb
3. Connecting Barb, V803
4. Head Jamb Stop, W10231
5. Sash Weather Strip, V1655
6. Top Rail
7. Glazing Bead, W10384
8. Insulating Glass
9. Screen Frame
10. Screen Mesh
11. Bottom Rail
12. Sill Cover, W10329 (CA), W10231 (AWN)
13. Sill
14. Subsill, W10333
15. Jamb
16. Jamb Stop, W10230
17. Stile
18. Handle
19. Brick Mould Casing, W0147
20. Sash Weather Strip, V2512

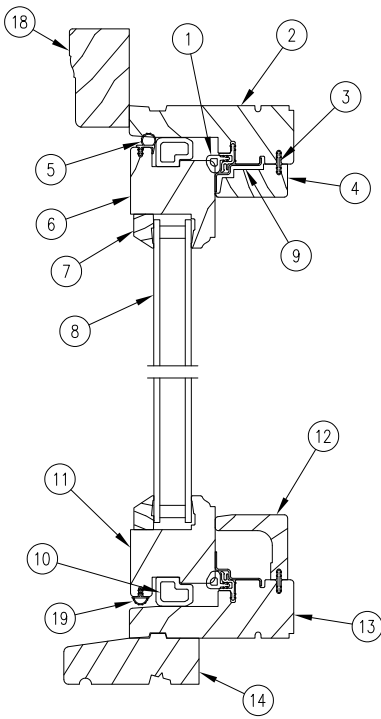


Jamb (Awning shown)



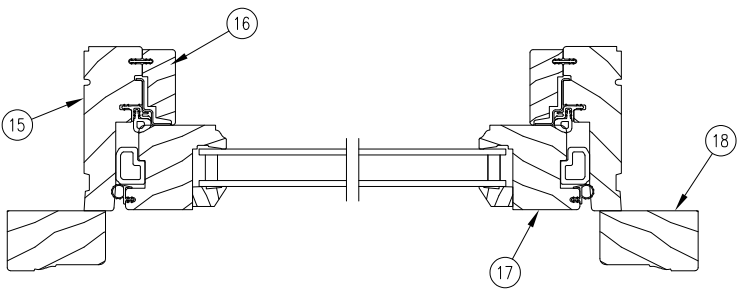
Jamb (Casement shown)

DISC-NA 8/30/21



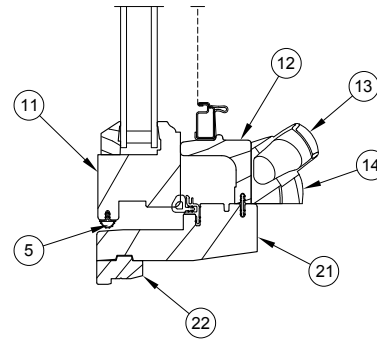
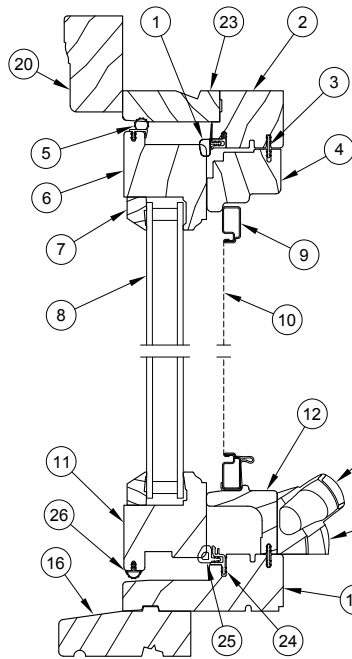
Head Jamb and Sill (Casement Shown)

- 1. Frame Weather Strip, V1983
- 2. Head Jamb
- 3. Connecting Barb, V803
- 4. Head Jamb Stop, W11312
- 5. Sash Weather Strip, V1655
- 6. Top Rail
- 7. Glazing Bead, W10384
- 8. Insulating Glass
- 9. Stationary Bracket, V1613
- 10. Stationary Sash
- 11. Bottom Rail
- 12. Sill Cover, W10329
- 13. Sill
- 14. Subsill, W10333
- 15. Jamb
- 16. Jamb Stop, W11311
- 17. Stile
- 18. Brick Mould Casing, W1047
- 19. Sash Weather Strip, V2512

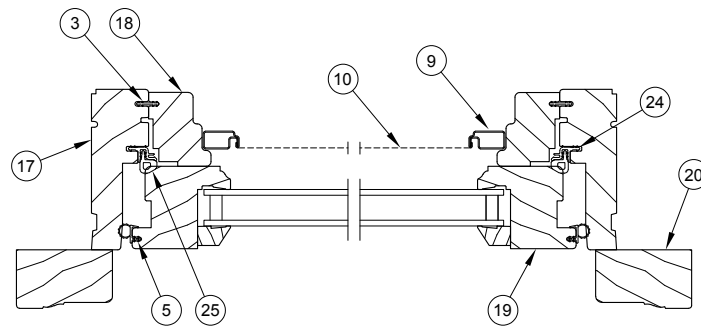


Jamb (Casement shown)

DISC-NA 8/30/21



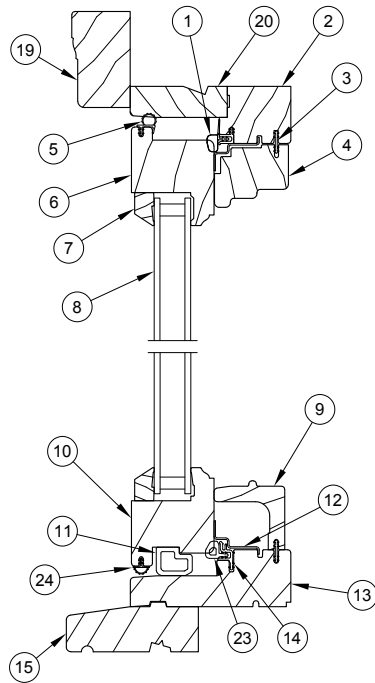
Head Jamb and Sill



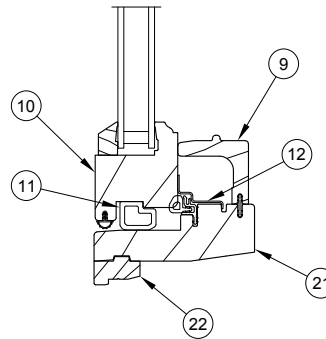
Jamb

1. Head Jamb Weather Strip, V1725
2. Head Jamb, Interior Component
3. Connecting Barb, V803
4. Head Jamb Stop, W9767
5. Sash Weather Strip, V1655
6. Top Rail
7. Glazing Bead, W10384
8. Insulating Glass
9. Screen Frame
10. Screen Mesh
11. Bottom Rail
12. Sill Cover, W10430
13. Folding Crank Handle
14. Folding Crank Handle Cover
15. Sill
16. Subsill, W10333
17. Jamb
18. Jamb Stop, W9790
19. Stile
20. Brick Mould Casing, W1047
21. 14 Degree Sloped Sill Option
22. Sill Riser, W11076
23. Head Jamb, Exterior Component
24. Weather Strip Carrier
25. Frame Weatherstrip, V1983
26. Sash Weather Strip, V2512

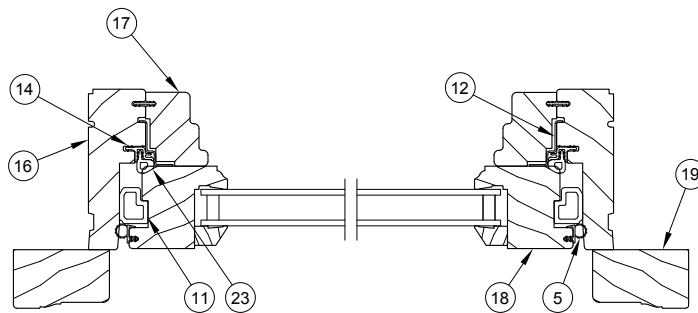
DISC-NA 8/30/21



Head Jamb and Sill

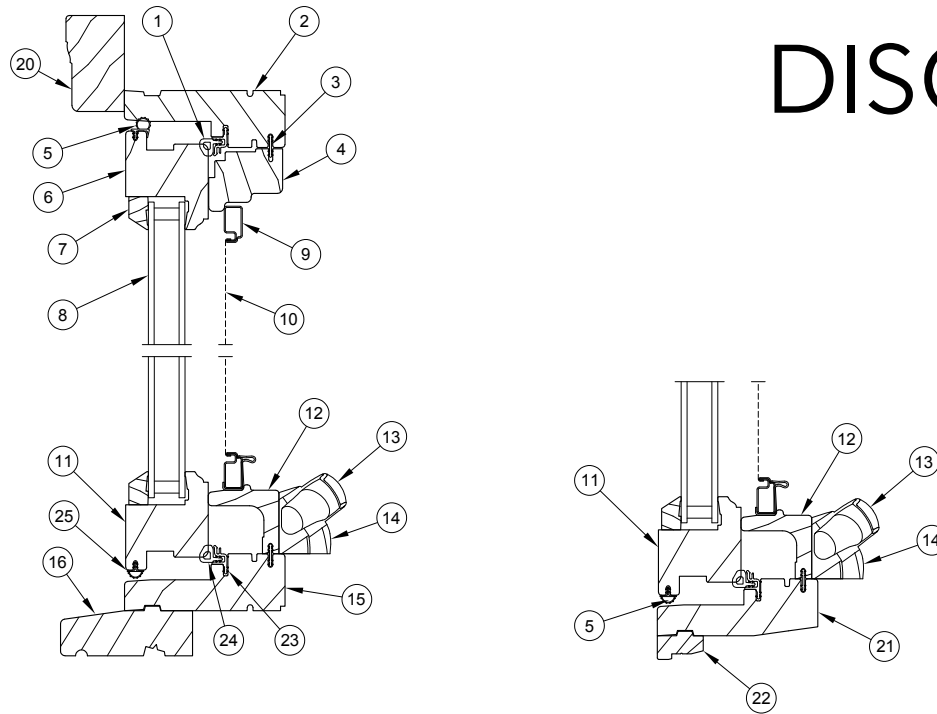


1. Head Jamb Weather Strip, V1725
2. Head Jamb, Interior Component
3. Connecting Barb, V803
4. Head Jamb Stop, W9767
5. Sash Weather Strip, V1655
6. Top Rail
7. Glazing Bead, W10384
8. Insulating Glass
9. Sill Cover, W10454
10. Bottom Rail
11. Stationary Sash Block, V1613
12. Stationary Bracket
13. Sill
14. Weather Strip Carrier
15. Subsill, W10333
16. Jamb
17. Jamb Stop, W9790
18. Stile
19. Brick Mould Casing, W1047
20. Head Jamb, Exterior Component
21. 14 Degree Sloped Sill Option
22. Sill Riser, W11076
23. Frame Weatherstrip, V1983
24. Sash Weather Strip, V2512

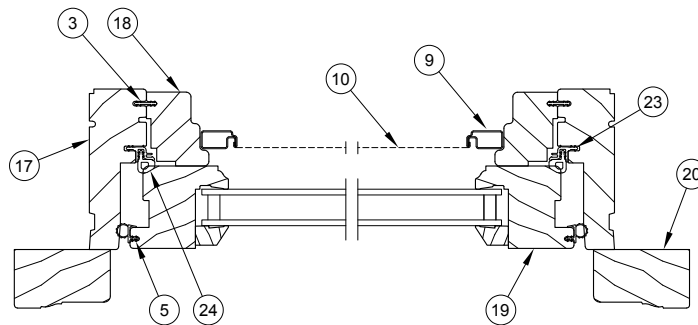


Jamb

DISC-NA 8/30/21



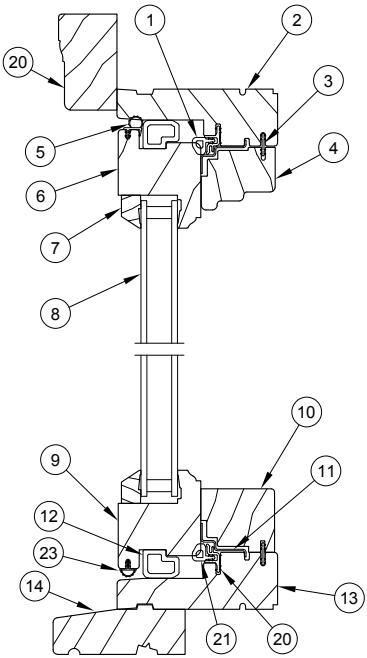
Head Jamb and Sill



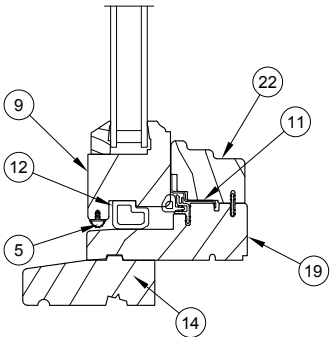
Jamb

1. Head Jamb Weather Strip, V1983
2. Head Jamb
3. Connecting Barb, V803
4. Head Jamb Stop, W9790
5. Sash Weather Strip, V1655
6. Top Rail
7. Glazing Bead, W10384
8. Insulating Glass
9. Screen Frame
10. Screen Mesh
11. Bottom Rail
12. Sill Cover, W10430
13. Folding Crank Handle
14. Folding Crank Handle Cover
15. Sill
16. Subsill, W10333
17. Jamb
18. Jamb Stop, W9790
19. Stile
20. Brick Mould Casing, W1047
21. 14 Degree Sloped Sill Option
22. Sill Riser, W11076
23. Weather Strip Carrier
24. Frame Weather Strip, V1983
25. Sash Weather Strip, V2512

DISC-NA 8/30/21



Head Jamb and Sill

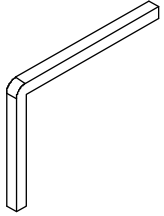


Jamb

- 1. Frame Weather Strip, V1983
- 2. Head Jamb
- 3. Connecting Barb, V803
- 4. Head Jamb Stop, W9767
- 5. Sash Weather Strip, V1655
- 6. Top Rail
- 7. Glazing Bead, W10384
- 8. Insulating Glass
- 9. Bottom Rail
- 10. Sill Cover, W10430
- 11. Sash Bracket
- 12. Stationary Sash Block, V1613
- 13. Sill
- 14. Subsill, W10333
- 15. Jamb
- 16. Jamb Stop, W9790
- 17. Stile
- 18. Brick Mould Casing, W1047
- 19. 14 Degree Sloped Sill Option
- 20. Weather Strip Carrier
- 21. Frame Weather Strip, V1983
- 22. Stationary Sill Stop, W9790
- 23. Sash Weather Strip, V2512

Construction Handle

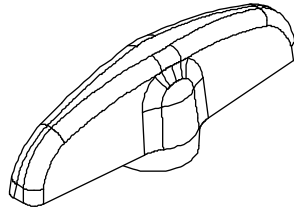
PN
10501401



T-Handle, Operator

Construction handle only

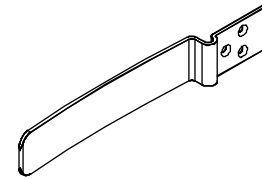
PN
10898670



Sash Removal/Installation Tool

Venting Picture

PN
11860024



Folding Handle and Cover

Crank Casement/Awning

Casement and Awning Narrow Frame

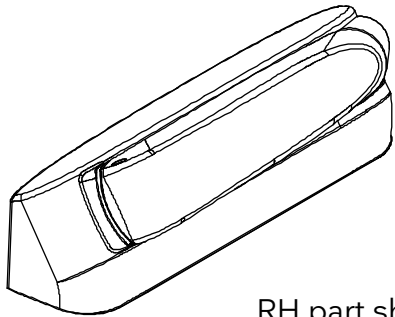
French Casement

Casement operators under 20" frame width use a dyad operator which requires an opposite handed cover.

NOTE: When ordering a handle for a unit with a Casement dyad operator, order a RH part number for a LH operator and vice versa.

NOTE: Awning units always require LH handles and covers.

Color	LH PN	RH PN
Satin Taupe	10898730	10898735
White	10898750	10898755
Bronze	10898740	10898745
Brass	10898760	10898761
Antique Brass	10898762	10898763
Satin Chrome	10898766	10898767
Oil Rubbed Bronze	10898768	10898769
Satin Nickel	10898770	10898771
Polished Chrome	10898764	10898765
Matte Black	10898772	10898773

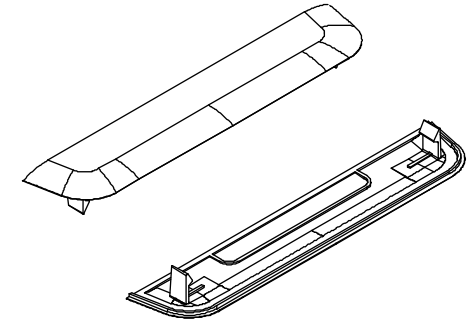


RH part shown

Folding Handle Under Cover

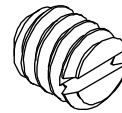
Casement and Awning Narrow Frame only

Color	PN
Satin Taupe	10898589
White	10898599
Bronze	10898609
Brass	10898619
Antique Brass	10898629
Satin Chrome	10898649
Oil Rubbed Bronze	10898659
Satin Nickel	10898669
Polished Chrome	10898639
Matte Black	10898729



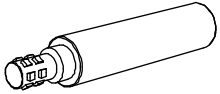
Set Screw for Folding Handle

PN
10898583



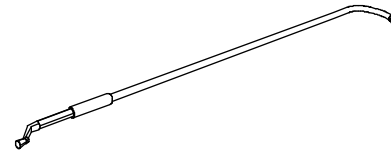
Extension, 2"

Color	PN
Satin Taupe	05570436
Bronze	05570432
White	05570430



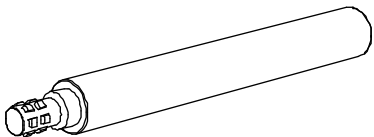
Crank, Pole

Length	Color	PN
60" (1524)	Mill Finish	01590321
96" (2438)		01590411
138" (3505)		05540711



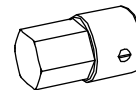
Extension, 4"

Color	PN
Satin Taupe	05570435
Bronze	05570431
White	05570429



Adapter, Pole Crank

Color	PN
Mill Finish	05570447



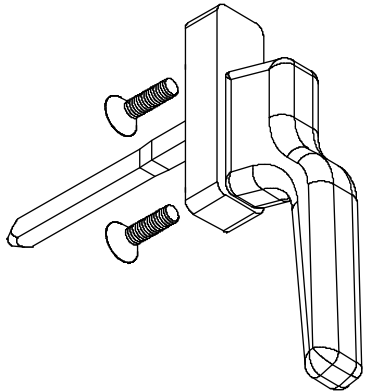
French Handle Package

French Casement

Includes:

- 1 - Handle
- 2 - 1/4" x 3/4" machine screws (only available with the handle package)

Color	PN
White	10816150
Bronze	10816151
Brass	10816152
Satin Taupe	10816153
Antique Brass	10816154
Polished Chrome	10816155
Satin Chrome	10816156
Oil Rubbed Bronze	10816157
Satin Nickel	10816158



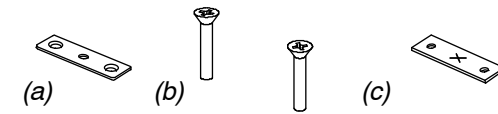
Handle Accessory Kit

Includes:

- 1 - Face plate (10816041)
- 2 - M5x2mm flat head screws (10816045)
- 1 - Gasket, (10816098)

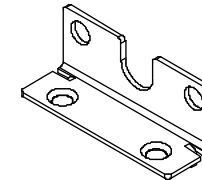
NOTE: For French Casement Handle

PN
11850115



French Handle Mounting Bracket

PN
11861169



Lock Handle

Casement/Awning Narrow Frame Push Out
Casement/Awning Push Out
French Casement Push Out
French Casement Narrow Frame Push Out
French Casement Push Out

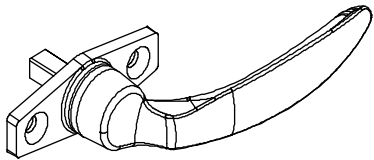
Includes:

2 - #10-32 x 7/8" flat head screws:

White (11801093), Oil Rubbed Bronze (11801089), Brass (11801091),
 Antique Brass (11801092), Satin Nickel (11801090), Matte Black (11801094)

NOTE: Awning Push Out uses only LH handles

Color	LH PN	RH PN
White	10898408	10898409
Oil Rubbed Bronze	10898400	10898401
Brass	10898404	10898405
Antique Brass	10898406	10898407
Satin Nickel	10898402	10898403
Matte Black	10898418	10898419



RH Shown

Dummy Handle

Casement/Awning Narrow Frame Push Out
Casement/Awning Push Out
French Casement Push Out
French Casement Narrow Frame Push Out
French Casement Push Out

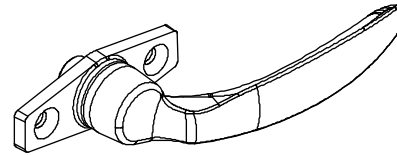
Includes:

2 - #10-32 x 7/8" flat head screws:

Oil Rubbed Bronze (11801089), Satin Nickel (11801090), Brass (11801091),
 Antique Brass (11801092)

NOTE: Awning Push Out uses only LH handles

Color	LH PN	RH PN
Oil Rubbed Bronze	10898410	10898411
Brass	10898414	10898415
Antique Brass	10898416	10898417
Satin Nickel	10898412	10898413



RH Shown

Hinge Arm

Casement

Casement/French Casement Push Out

Includes:

Hinge Arm

#8-18 x 1" Steel Zinc E-Gard screws (11800552)

UL/LR = Upper Left / Lower Right

LL/UR = Lower Left / Upper Right

(as viewed from exterior)

Product and Sizing (18" arms)

Casement and Casement Push Out = 20" (508) - 23 63/64" (609) Frame width

French Casement Push Out = 40" (1016) - 47 63/64" (1219) Frame width

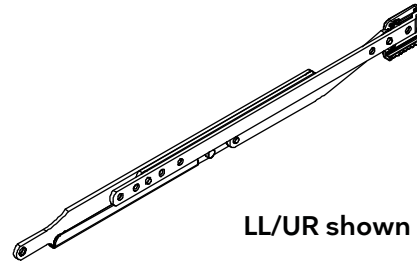
Length	Color	Handing	PN
18" arms	E-Gard	UL/LR	10816401
		LL/UR	10816400
	Stainless Steel	UL/LR	10826401
		LL/UR	10826400

Product and Sizing (22" arms)

Casement and Casement Push Out = 24" (610) and wider Frame width

French Casement Push Out = 48" (1219) and wider Frame width

Length	Color	Handing	PN
22" arms	E-Gard	UL/LR	10816405
		LL/UR	10816404
	Stainless Steel	UL/LR	10826405
		LL/UR	10826404



LL/UR shown

Non-Wash Mode Hinge Arm

Casement/Awning

French Casement

French Casement Push Out

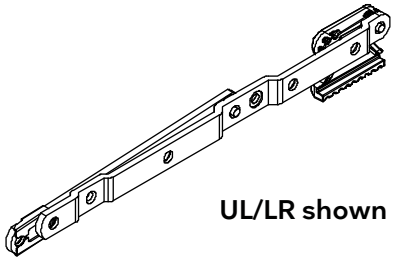
Includes:

Hinge Arm

#8-18 x 1" E-Gard screws (11800552)

Product and Sizing
Casement/Awning = /< 20" (508) frame width
French Casement Push Out = 36" (904) - 39.999" (1016) frame width
French Casement = 40" (1016) - 45 1/16" (1145) frame width

Length	Color	LH PN	RH PN
10"	E-Gard	10816408	10816409
	Stainless Steel	10826408	10826409



Non-Wash Mode Hinge Arm Without Stop

French Casement

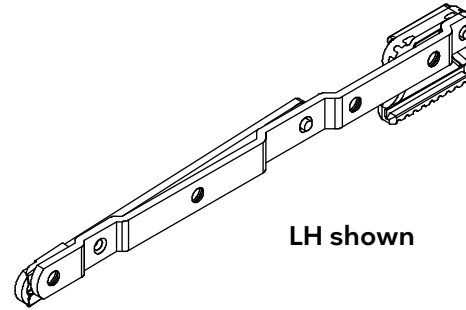
Includes:

Hinge Arm

#8-18 x 1" E-Gard screws (11800552)

Product and Sizing
French Casement 45.064" (1145) - 60" (1524) frame width

Length	Color	LH PN	RH PN
10"	E-Gard	10816422	10816423
	Stainless Steel	10826422	10826423



Hinge Arm

Crank Awning

Includes:

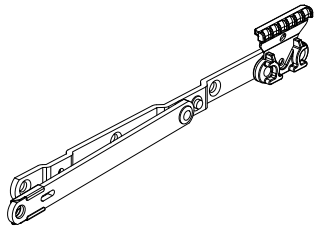
Hinge Arm

#8-18 x 1" Steel Zinc E-Gard screws (11800552)

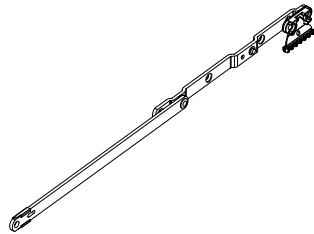
Frame height sizes	Length	Color	LH PN	RH PN
11 1/2" (292) - 20 7/64" (510)	10" arms*	E-Gard	10816408	10816409
		Stainless Steel	10826408	10826409
*When used with the 12" (305) Awning operator, the minimum frame height is 15 1/8" (384)				

Frame height sizes	Length	Color	LH PN	RH PN
20 1/8" (511) - 35 7/64" (891)	18" arms	E-Gard	10816412	10816413
		Stainless Steel	10826412	10826413

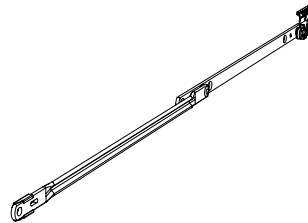
Frame height sizes	Length	Color	LH PN	RH PN
35 1/8" (892) - 96" (2438)	26" arms	E-Gard	10816416	10816417
		Stainless Steel	10826416	10826417



10" Hinge Arm



18" Hinge Arm

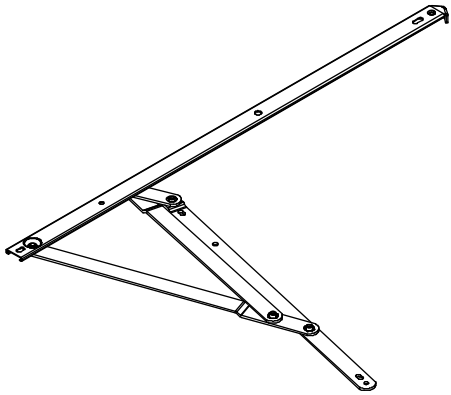


26" Hinge Arm

4-Bar Hinge Assembly

Awning Push Out

Frame Height Range	Hinge Length	Color	Size	PN
11.875" - 24.875"	10.500" (267)	Stainless Steel	10"	10827120
24.876" - 35.875"	16.500" (419)		16"	10827121
35.876" - 47.125"	24.500" (622)		24"	10827122

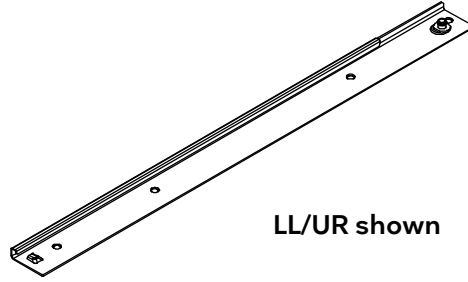


Hinge Track

Casement
French Casement
Casement/French Casement Push Out

Includes:

Hinge Track
 #7-19 x 5/8" Stainless Steel screws (11800736)

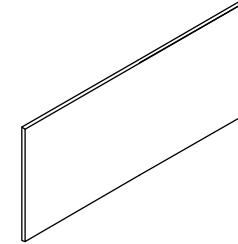


UL/LR = Upper Left / Lower Right
 LL/UR = Lower Left / Upper Right
 (as viewed from exterior)

Gasket, Hinge Track, Sill

Ultimate Wood Products only

Length	PN
10"	10815710
18"	10815718
22"	10815722



Product and Sizing (10" arms)	Length	Handing	PN
Casement and Casement Push Out = /< 20" (508) frame width French Casement Push Out = 36" (914) - 39.999" (991) frame width French Casement = 40" (1016) and greater frame width	10" arms	UL/LR	10816410
		LL/UR	10816411

Product and Sizing (18" arms)	Length	Handing	PN
Casement and Casement Push Out = 20" (508) - 23.999" (610) frame width French Casement Push Out = 40.0" (1016) - 47.000" (1194) frame width	18" arms	UL/LR	10816403
		LL/UR	10816402

Product and Sizing (22" arms)	Length	Handing	PN
Casement and Casement Push Out = 24" (610) and wider frame width French Casement Push Out = 48" (1219) and greater frame width	22" arms	UL/LR	10816407
		LL/UR	10816406

Hinge Track

Crank Awning

Includes:

Hinge Arm - stainless steel finish
 #7-19 x 5/8" stainless steel screws (11800736)

Sizing	Length	LH PN	RH PN
Frame height 11 1/2" (292) - 20 7/64" (510)	10" tracks*	10816410	10816411
Frame height 20 1/8" (511) - 35 7/64" (891)	18" tracks	10816414	10816415
Frame height 35 1/8" (892) - 96" (2438)	26" tracks	10816418	10816419
*When used with the 12" (305) Awning operator, the minimum frame height is 15 1/8" (384)			

Hinge Track with Non-adjustable Stud

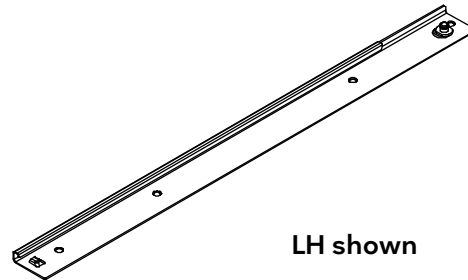
NOTE: For Field Service Only

Crank Awning

Includes:

Hinge Arm - stainless steel finish
 #7-19 x 5/8" stainless steel screws

Sizing	Length	LH PN	RH PN
Frame height 20 1/8" (511) - 35 7/64" (891)	18" tracks	10816494	10816495
Frame height 35 1/8" (892) - 96" (2438)	26" tracks	10816492	10816493



LH shown

Butt Hinge

*Casement Round Top, Casement Narrow Frame Round Top
Casement Polygon, Casement Narrow Frame Polygon*

Usage dates:

4/23/2013 to present

Includes:

Type A-17, full thread screws:

1- #10x3" stainless steel (11801031)

3- #10x5/8" stainless steel (11800564)

4- #8x1" coordinated colored screw head with hinge ordered:

Beige (11800559), White (11800558), Black (11800560),

Stainless Steel (no color) (11800556)

Color	PN
Beige	10819314
White	10819315
Black	10819316
Stainless Steel	10819317

Backer Plate

Includes:

1 - Backer plate

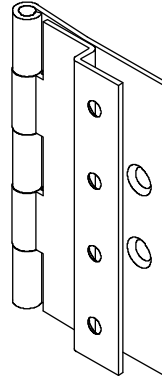
1 - #10 x 5/8" stainless steel screw (11800564)

NOTE: One backer plate needed per hinge

Color	PN
Black	10500441



**Backer
Plate**



Hinge

Butt Hinge

*Casement Round Top, Casement Narrow Frame Round Top
Casement Polygon, Casement Narrow Frame Polygon*

Usage dates:

10/15/2012 to 04/22/2013

Includes:

Type A-17, full thread screws:

1 - #10 x 3" stainless steel (11801031)

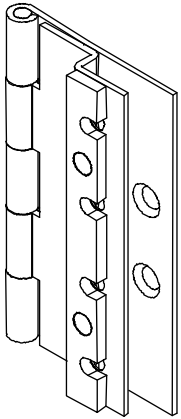
3 - #10 x 5/8" stainless steel (11800564)

4 - #8 x 1" coordinated colored screw head with hinge ordered:

Beige (11800559), White (11800558), Black (11800560),

Stainless Steel (no color) (11800556)

Color	PN
Beige	10819304
White	10819305
Black	10819306
Stainless Steel	10819307



Butt Hinge

Casement Round Top

Usage dates:

03/30/2009 to 10/14/2012

Includes:

Type A-17, full thread screws:

1 - #10 x 3" stainless steel (11801031)

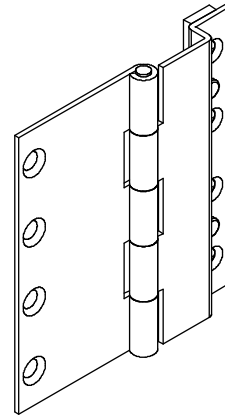
3 - #10 x 5/8" stainless steel (11800562)

4 - #8 x 1" coordinated colored screw head with hinge ordered:

Beige (11800559), White (11800558), Black (11800560),

Stainless Steel (no color) (11800556)

Color	PN
Beige	10819300
White	10819301
Black	10819302
Stainless Steel	10819303



Dyad Operator

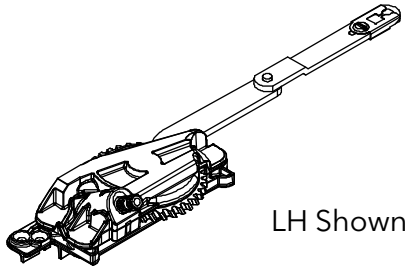
Casement

Casement Narrow Frame

French Casement

Product and Sizing
Casement/Casement Narrow Frame <20" (508) frame width
French Casement 40" (1016)-45 1/16" (1145) frame width

Color	LH PN	RH PN
E-Gard	10816298	10816299
Stainless Steel	10826298	10826299



LH Shown

Stud Bracket, Dyad Operator

Casement

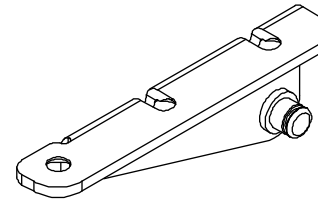
Casement Narrow Frame

French Casement

Includes:

- 1 - Stud Bracket
- 2 - #8-18 x 1" screws (11800552)

Color	LH PN	RH PN
E-Gard	10816300	10816301
Stainless Steel	10826300	10826301



LH shown

Single Arm Operator

Casement

Casement Operator Polygon and Round Top

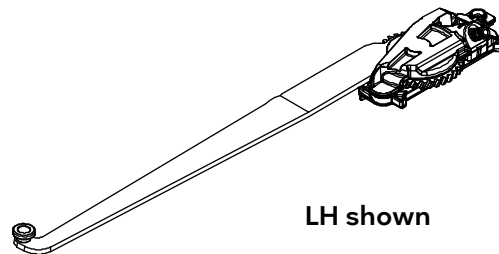
French Casement

Product and Sizing (8 3/4" arm)	Length	Color	LH PN	RH PN
Casement and Casement Operator Polygon/Round Top < 19" (483) frame width French Casement 45 1/16" (1145) - 47 5/8" (1209) frame width	8 3/4"	E-Gard	10816341	10816342
		Stainless Steel	10826341	10826342

Product and Sizing (10" arm)	Length	Color	LH PN	RH PN
Casement and Casement Operator Polygon/Round Top 20" (508) -24" (610) frame width French Casement 47 5/8" (1210) - 56 1/4" (1428) frame width	10"	E-Gard	10816290	10816291
		Stainless Steel	10826290	10826291

Product and Sizing (14" arm)	Length	Color	LH PN	RH PN
Casement and Casement Operator Polygon/Round Top 24.001" (610) - 30" (762) frame width French Casement 56 1/4" (1428) - 60" (1524) frame width	14"	E-Gard	10816292	10816293
		Stainless Steel	10826292	10826293

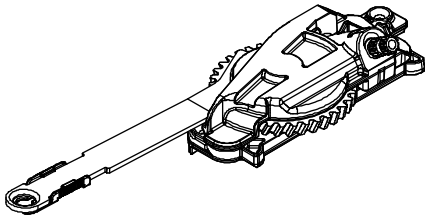
Product and Sizing (18" arm)	Length	Color	LH PN	RH PN
Casement and Casement Operator Polygon/Round Top 30.001" (762) - 44" (1018) frame width	18"	E-Gard	10816294	10816295
		Stainless Steel	10826294	10826295



Single Arm Operator

Crank Awning

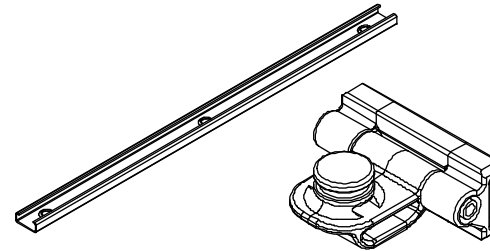
Sizing	Length	Color	PN
Frame width < 24" (61)	5"	E-Gard	10816287
		Stainless Steel	10826287
Frame width 24" (61) - 32" (81)	8.5"	E-Gard	10816280
		Stainless Steel	10826280
Frame width >32" (81)	12"	E-Gard	10816285
		Stainless Steel	10826285



Operator Track and Pivot Slide

Crank Awning

Sizing	Length	Color	PN
Frame width < 24" (61)	5"	E-Gard	10816286
		Stainless Steel	10826286
Frame width 24" (61) - 32" (81)	8.5"	E-Gard	10816289
		Stainless Steel	10826289
Frame width >32" (81)	12"	E-Gard	10816284
		Stainless Steel	10826284

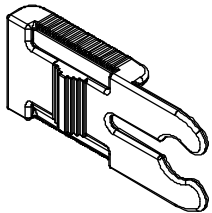


Detach Clip for Single Arm Operator

NOTE: For field replacement

Crank Awning

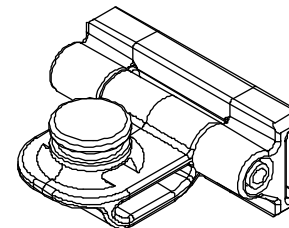
PN
10500452



Pivot Slide

Crank Awning

PN
10816282



Operator Track

Casement

French Casement

Casement Round Top

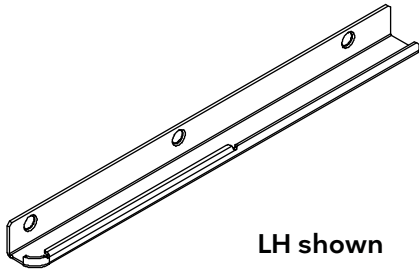
Casement Narrow Frame Round Top

Casement Operator Polygon

Casement Narrow Frame Operator Polygon

NOTE: For Casement units manufactured 11/01/2008 and after.

Product and Sizing		Length	Color	LH PN	RH PN
French Casement 45 1/16" (1145) - 47 5/8" (1209) frame width	All Casement Operator Round Tops and Casement Operator Polygons	8 5/16"	E-Gard	10816345	10816346
			Stainless Steel	10826345	10826346
French Casement - All other frame widths	All other Casement products	9"	E-Gard	10816343	10816344
			Stainless Steel	10826343	10826344



LH shown

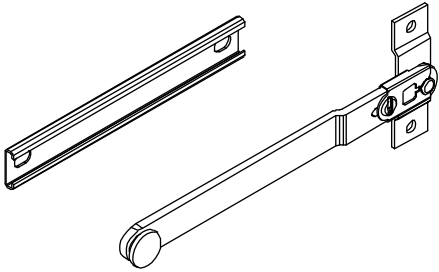
Sash Limiter Kit, Non-Custodial

Casement/Awning

Includes:

- 1 - Sash Limiter and Track Assembly
- 4 - #8 x 11/16" Phillips Pan Head AB SMS screws (11886875)

PN
11850795



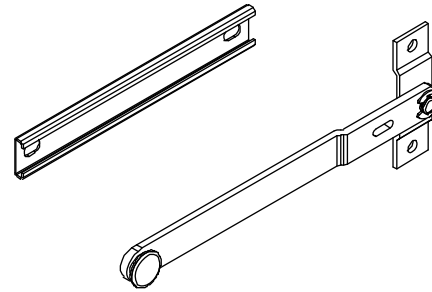
Sash Limiter Kit, Custodial

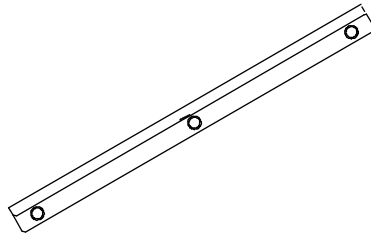
Casement/Awning

Includes:

- 1 - Sash Limiter and Track Assembly
- 4 - #8 x 11/16" Torx T20 Pan head screws (11886876)
- 1 - Snap Ring
- 1 - Torx Tamper-Proof Custodial Bit (02071481)

PN
11850794





Operator Track

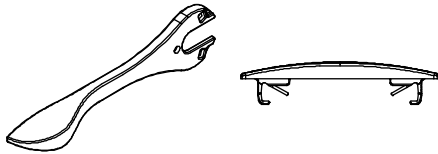
For units manufactured before 11/1/2008
Replace with current 9"

Lock Handle and Escutcheon

Crank Casement/Awning

NOTE: Used on units manufactured after 10/04/2008

Color	PN
Satin Taupe	10816304
White	10816305
Bronze	10816306
Brass	10816307
Antique Brass	10816308
Satin Chrome	10816310
Oil Rubbed Bronze	10816311
Satin Nickel	10816312
Polished Chrome	10816309
Matte Black	10816399



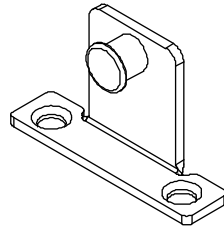
Keeper

Crank Casement/Awning

Includes:

- 1 - Keeper
- 2 - #8-18 x 1" screws (11800552)

Color	PN
E-Gard	10816225
Stainless Steel	10826225



Extended Leg Keeper

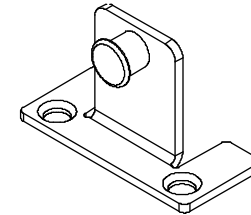
IZ3 Casement Round Top

Casement Narrow Frame Round Top

Casement Operator Polygon

Casement Narrow Frame Operator Polygon

Color	PN
Zinc	10816226
Stainless Steel	10826226



Keeper

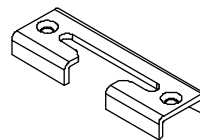
Casement/Awning Push Out

Casement/Awning Narrow Frame Push Out

Includes:

- 2 - #8 x 1" full thread screws (11800551)

PN
10501399



Keeper

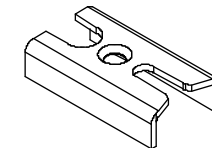
French Casement Push Out

French Casement Narrow Frame Push Out

Includes:

- 2 - #8 x 5/8" full thread screws (11805180)

PN
10817198



ATC (Around the Corner) Lock Assembly

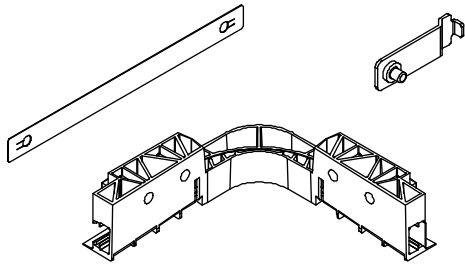
Crank Awning

Includes:

Lock Assembly

#8-18 x 1 1/4" Pan head screws (11800557)

Frame width sizing	PN
16.000" to 36.000": no ATC	10501402
36.001" - 56.000": 1 ATC	
56.001" - 96.000": 2 ATCs	



Lock Base Assembly

Non-Handed

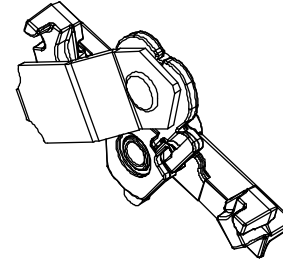
Crank Casement/Awning (manufactured 10/04/2008 and later)

Includes:

Lock Base Assembly

#8 x 1 1/4" Pan head screws (11800557)

PN
10816313



Cam Lock

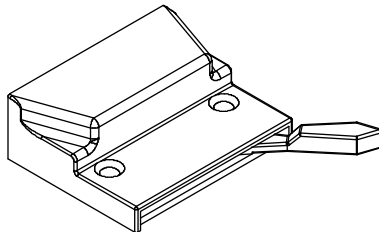
Casement Round Top

Includes:

2 - #8 x 1 1/2" Phillips flat head self-tapping screws: Bronze (11881117), White (11881118), Satin Taupe (11881116)

2 - #7 x 1 1/4" Phillips flat head self-tapping screws: Brass (11807120)

Color	PN
Bronze	10814904
White	10814905
Satin Taupe	10814907
Brass	10814906



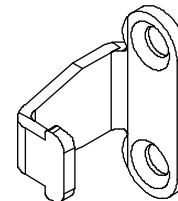
High Strength Keeper

Casement Round Top

Includes:

2 - #8 x 1 1/4" flat head screws (11808118)

PN
10814900



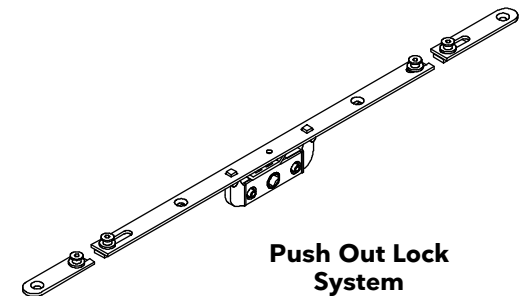
Push Out Lock System

Casement/Awning Push Out

Standard Location					
Description	Lock Bar Finish Overall (in inches)	Frame Height Range (in inches)	Stainless Steel PN	Steel (Yellow) PN	Handle Location
Lock System (250mm)	9 27/32"	15 1/16" - 23 9/32"	10827100	10817100	Centered
Lock System (400mm)	15 3/4"	>23 9/32" - 31 5/32"	10827101	10817101	Centered
Lock System (600mm)	23 5/8"	>31 5/32" - 39 1/32"	10827102	10817102	Centered
Lock System (800mm)	31 1/2"	>39 1/32" - 46 29/32"	10827103	10817103	Centered
Lock System (1000mm)	39 3/8"	>46 29/32" - 54 25/32"	10827104	10817104	Centered
Lock System (1200mm)	47 1/4"	>54 25/32" - 64 9/32"	10827105	10817105	Centered
Lock System (1200mm)	47 1/4"	>64 9/32" - 66 5/16"	10827105	10817105	Below Center
Lock System (1400mm)	55 1/8"	>66 5/16" - 74 3/16"	10827106	10817106	Below Center
Lock System (1600mm)	63"	>74 3/16" - 82 1/16"	10827107	10817107	Below Center
Lock System (1800mm)	70 7/8"	>82 1/16" - 89 7/32"	10827108	10817108	Below Center
Lock System (1950mm)	76 25/32"	89 7/32" - 96 7/32"	10827109	10817109	Below Center

Low Lock Standard Location (NOTE: The low lock box handle is located 7 7/8" from the bottom of the hardware)					
Description	Lock Bar Finish Overall (in inches)	Frame Height Range (in inches)	Stainless Steel PN	Steel (Yellow) PN	Handle Location
Lock System (600mm)	23 5/8"	35 1/16" - 42 31/32"	10827110	10817110	Low
Lock System (800mm)	31 1/2"	>42 31/32" - 50 13/16"	10827111	10817111	Low
Lock System (1000mm)	39 3/8"	>50 13/16" - 58 11/16"	10827112	10817112	Low
Lock System (1200mm)	47 1/4"	>58 11/16" - 66 9/16"	10827113	10817113	Low
Lock System (1400mm)	55 1/8"	>66 9/16" - 74 7/16"	10827114	10817114	Low
Lock System (1600mm)	63"	>74 7/16" - 82 5/16"	10827115	10817115	Low
Lock System (1800mm)	70 7/8"	>82 5/16" - 89 7/32"	10827116	10827116	Low
Lock System (1950mm)	76 25/32"	>89 7/32" - 96 15/32"	10827117	10817117	Low

Awning Push Out Locks				
Lock CN	Lock Bar Finish Overall (in inches)	Frame Width Range (in inches)	Stainless Steel PN	Steel (Yellow) PN
250	9 27/32"	16 1/16" - 21 31/32"	10827100	10817100
400	15 3/4"	>21 31/32" - 29 27/32"	10827101	10817101
600	23 5/8"	>29 27/32" - 37 23/32"	10827102	10817102
800	31 1/2"	>37 23/32" - 45 19/32"	10827103	10817103
1000	39 3/8"	>45 19/32" - 53 15/32"	10827104	10817104
1200	47 1/4"	>53 15/32" - 64 15/32"	10827105	10817105
1400	55 1/8"	>64 15/32" - 72 11/32"	10827106	10817106

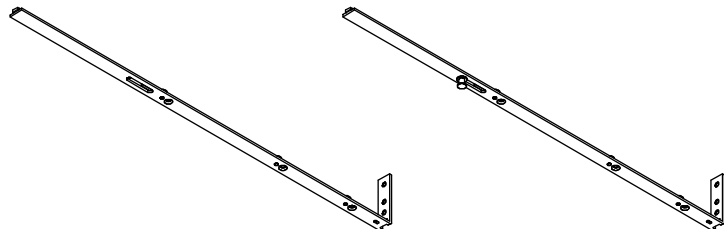


Push Out Lock System

French Casement Push Out

Lock CN	Primary with Cam	Secondary without Cam
260	N/A (use SS part #)	10817171
390	N/A (use SS part #)	10817172
520	N/A (use SS part #)	10817173
650	N/A (use SS part #)	N/A (use SS part #)
780	N/A (use SS part #)	10817175
910	10817156	10817176
1040	10817157	10817177
1170	10817158	10817178
1300	10817159	10817179
1430	10817160	10817180

Lock CN	Stainless Steel PN Primary with Cam	Stainless Steel PN Secondary without Cam
260	10827151	10827171
390	10827152	10827172
520	10827153	10827173
650	10827154	10827174
780	10827155	10827175
910	10827156	10827176
1040	10827157	10827177
1170	10827158	10827178
1300	10827159	10827179
1430	10827160	10827180



Secondary Lock Bar
No Cam

Primary Lock Bar
Cam

Push Out Lock System

French Casement Push Out

Standard Handle Location					
Frame Height	Part Number Primary (Top with Cam)	Part Number Primary (Bottom with Cam)	Part Number Secondary (Top without Cam)	Part Number Secondary (Bottom without Cam)	Handle Height
21.000" - 27 11/32"	N/A (use SS part #)	N/A (use SS part #)	10817171	10817171	Centered
27 3/8" - 37 15/32"	N/A (use SS part #)	N/A (use SS part #)	10817172	10817172	Centered
> 37 15/32" - 47 27/32"	N/A (use SS part #)	N/A (use SS part #)	10817173	10817173	Centered
> 47 27/32" - 57 31/32"	N/A (use SS part #)	N/A (use SS part #)	N/A (use SS part #)	N/A (use SS part #)	Centered
> 57 31/32" - 64 9/32"	N/A (use SS part #)	N/A (use SS part #)	10817175	10817175	Centered
> 64 9/32" - 66 19/32"	N/A (use SS part #)	N/A (use SS part #)	10817175	10817175	32 1/2"
> 66 19/32" - 71 3/4"	10817156	N/A (use SS part #)	10817176	10817175	32 1/2"
> 71 3/4" - 72"	10817157	N/A (use SS part #)	10817177	10817175	32 1/2"

Standard Handle Location					
Frame Height	Stainless Steel PN Primary (Top with Cam)	Stainless Steel PN Primary (Bottom with Cam)	Stainless Steel PN Secondary (Top without Cam)	Stainless Steel PN Secondary (Bottom without Cam)	Handle Height
21.000" - 27 11/32"	10827151	10827151	10827171	10827171	Centered
27 3/8" - 37 15/32"	10827152	10827152	10827172	10827172	Centered
> 37 15/32" - 47 27/32"	10827153	10827153	10827173	10827173	Centered
> 47 27/32" - 57 31/32"	10827154	10827154	10827174	10827174	Centered
> 57 31/32" - 64 9/32"	10827155	10827155	10827175	10827175	Centered
> 64 9/32" - 66 19/32"	10827155	10827155	10827175	10827175	32 1/2"
> 66 19/32" - 71 3/4"	10827156	10827155	10827176	10827175	32 1/2"
> 71 3/4" - 72"	10827157	10827155	10827177	10827175	32 1/2"

Push Out Lock System

French Casement Push Out

Low Handle Location					
Frame Height	Part Number Primary (Top with Cam)	Part Number Primary (Bottom with Cam)	Part Number Secondary (Top without Cam)	Part Number Secondary (Bottom without Cam)	Handle Height
35 1/16" - 35 7/16"	N/A (use SS part #)	N/A (use SS part #)	10817172	N/A (use SS part #)	16.72"
>35 7/16" - 40 21/32"	N/A (use SS part #)	N/A (use SS part #)	10817173	N/A (use SS part #)	16.72"
> 40 21/32" - 45 11/16"	N/A (use SS part #)	N/A (use SS part #)	N/A (use SS part #)	N/A (use SS part #)	16.72"
> 45 11/16" - 50 13/16"	N/A (use SS part #)	N/A (use SS part #)	10817175	N/A (use SS part #)	16.72"
> 50 13/16" - 55 31/32"	10817156	N/A (use SS part #)	10817176	N/A (use SS part #)	16.72"
> 55 31/32" - 61 1/32"	10817157	N/A (use SS part #)	10817177	N/A (use SS part #)	16.72"
61 1/32" - 66 5/32"	10817158	N/A (use SS part #)	10817178	N/A (use SS part #)	16.72"
> 66 5/32" - 71 9/32"	10817159	N/A (use SS part #)	10817179	N/A (use SS part #)	16.72"
> 71 9/32" - 72"	10817160	N/A (use SS part #)	10817180	N/A (use SS part #)	16.72"

Low Handle Location					
Frame Height	Stainless Steel PN Primary (Top with Cam)	Stainless Steel PN Primary (Bottom with Cam)	Stainless Steel PN Secondary (Top without Cam)	Stainless Steel PN Secondary (Bottom without Cam)	Handle Height
35 1/16" - 35 7/16"	10827152	10827152	10827172	10827172	16.72"
>35 7/16" - 40 21/32"	10827153	10827152	10827173	10827172	16.72"
> 40 21/32" - 45 11/16"	10827154	10827152	10827174	10827172	16.72"
> 45 11/16" - 50 13/16"	10827155	10827152	10827175	10827172	16.72"
> 50 13/16" - 55 31/32"	10827156	10827152	10827176	10827172	16.72"
> 55 31/32" - 61 1/32"	10827157	10827152	10827177	10827172	16.72"
61 1/32" - 66 5/32"	10827158	10827152	10827178	10827172	16.72"
> 66 5/32" - 71 9/32"	10827159	10827152	10827179	10827172	16.72"
> 71 9/32" - 72"	10827160	10827152	10827180	10827172	16.72"

French Lock Box and Cover

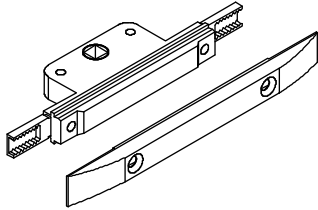
French Casement Push Out

Ultimate French Casement Narrow Frame Push Out

Includes:

2 – #8 x 1" screws (11800563)

Color	PN
Coastal	10827199



French Casement Lock Bar (Linkage)

French Casement

Standard Heights		
CN	Frame Height (Inches)	PN
CN 32	31 1/8"	10816434
CN 36	35 1/8"	10816435
CN 40	39 1/8"	10816436
CN 48	47 1/8"	10816437
CN 56	55 1/8"	10816438
CN 60	59 1/8"	10816439
CN 64	63 1/8"	10816440
CN 72	71 1/8"	10816441

Special Heights	
Frame Range Height (Inches)	PN
21" – 26 13/16"	10816442
> 26 13/16" – 31 1/8"	10816434
> 31 1/8" – 35 1/8"	10816435
> 35 1/8" – 39 1/8"	10816436
> 39 1/8" – 42 3/8"	10816443
> 42 3/8" – 47 1/8"	10816437
> 47 1/8" – 49 7/16"	10816444
> 49 7/16" – 55 1/8"	10816438
> 55 1/8" – 59 1/8"	10816439
> 59 1/8" – 63 1/8"	10816440
> 63 1/8" – 71 1/8"	10816441

When ordering a tie bar, specify:

1. Type of unit;
2. frame size;
3. part number;
4. description.

NOTE: When ordering a tie bar for the Ultimate Awning Narrow Frame, measure the window frame size and order the part number referenced.

Awning and Awning Narrow Frame			
Operator Jamb Tie Bar Part Numbers			
Frame Height	Frame Width	PN	Tie Bar Length
11 1/2" - 17 1/8"	ALL	10816314 (LH)	7 1/2"
		10816315 (RH)	7 1/2"
17 5/32" - 39 1/8"	16" - 72"	10816316	10"
39 5/32" - 42 1/8"	16" - 56"	10816316	10"
	56 1/32" - 72"	10816317	23 1/2"
42 5/32" - 47 1/8"	16" - 39 31/32"	10816316	10"
	40" - 72"	10816328	26 1/2"
47 5/32" - 53 1/8"	16" - 35 31/32"	10816316	10"
	36" - 72"	10816318	29 1/2"
53 5/32" - 59 1/8"	16" - 31 31/32"	10816316	10"
	32" - 72"	10816329	32 1/2"
59 5/32" - 65 1/8"	16" - 27 31/32"	10816316	10"
	28" - 72"	10816319	35 1/2"
65 5/32" - 71 1/8"	16" - 23 31/32"	10816316	10"
	24" - 72"	10816330	38 1/2"
71 5/32" - 81 1/8"	16" - 64"	10816330	38 1/2"
81 5/32" - 89 1/8"	16" - 48"	10816324	59 1/2"
89 5/32" - 96"	16" - 48"	10816325	65 1/2"

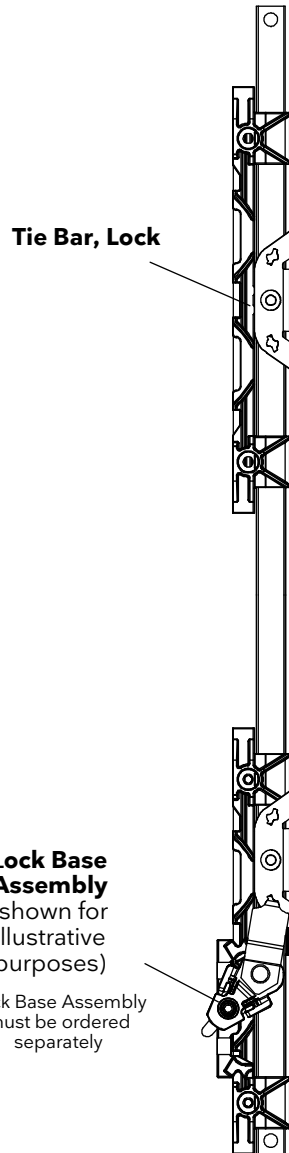
Awning and Awning Narrow Frame				
Operator Sill Tie Bar Part Numbers				
Frame Height	Frame Width	Sill Lock (Exterior)		Tie Bar Length
		RH PN	LH PN	
11 1/2" - 17 1/8"	ALL	N/A	N/A	N/A
17 5/32" - 96"	16" - 36"	N/A	N/A	N/A
	36 1/32" - 38 31/32"	N/A	10816331	10"
	39" - 42 31/32"	N/A	10816333	12"
	43" - 46 31/32"	N/A	10816334	14"
	47" - 56"	N/A	10816335	16"
	56 1/32" - 59 31/32"	10816332	10816331	10"
	60" - 63 31/32"	10816336	10816333	12"
	64" - 67 31/32"	10816337	10816334	14"
	68" - 96"	10816338	10816335	16"

When ordering a tie bar, specify:

1. Type of unit;
2. frame size;
3. part number;
4. description.

NOTE: When ordering a tie bar for the Ultimate Casement Narrow Frame measure the window frame size and order the part number referenced.

Casement and Casement Narrow Frame Tie Bar Assembly Part Numbers			
Frame Height	Number of Lock Points	PN	Tie Bar Length
11 1/2" - 17 1/8"	1	10816314 (LH)	7 1/2"
	1	10816315 (RH)	7 1/2"
17 5/32" - 31 3/32"	1	10816316	10"
31 1/8" - 37 1/8"	2	10816317	23 1/2"
37 5/32" - 43 1/8"	2	10816318	29 1/2"
43 5/32" - 49 1/8"	2	10816319	35 1/2"
49 5/32" - 55 1/8"	2	10816320	41 1/2"
55 5/32" - 61 1/8"	3	10816339	47 1/2"
61 5/32" - 67 1/8"	3	10816340	53 1/2"
67 5/32" - 77 1/8"	3	10816324	59 1/2"
77 5/32" - 83 1/8"	3	10816325	65 1/2"
83 5/32" - 89 1/8"	3	10816326	71 1/2"
89 5/32" - 102"	3	10816327	79 1/2"



Casement IZ3 Tie Bar Assembly Part Numbers			
Frame Height	Number of Lock Points	PN	Tie Bar Length
11 1/2" - 17 1/8"	1	10816314 (LH)	7 1/2"
	1	10816315 (RH)	7 1/2"
17 5/32" - 25 1/8"	1	10816316	10"
25 5/32" - 28 1/8"	2	10816377	18"
28 1/8" - 31 1/8"	2	10816368	20 1/2"
31 5/32" - 37 1/8"	2	10816317	23 1/2"
37 5/32" - 43 1/8"	2	10816318	29 1/2"
43 5/32" - 46 1/8"	2	10816319	35 1/2" *
46 5/32" - 49 1/8"	2	10816330	38 1/2" *
49 5/32" - 55 1/8"	3	10816378	42"
55 5/32" - 61 1/8"	3	10816339	47 1/2"
61 5/32" - 64 1/8"	3	10816340	53 1/2"
64 5/32" - 68 1/8"	3	10816355	56 1/2"
68 5/32" - 77 1/8"	4	10816379	61"
77 5/32" - 85 1/8"	4	10816380	70"
85 5/32" - 91 1/8"	4	10816381	77 1/2"
91 5/32" - 96 1/8"	5	10816382	84"
* Tie Bar support is used			

When ordering a tie bar, specify:

1. Type of unit;
2. part number;
3. description.

Casement Round Top/Casement Narrow Frame Round Top Tie Bar Assembly Part Numbers			
Ultimate Spring Line Range on Locking Side	Number of Lock Points (doesn't include radius lock point)	PN	Tie Bar Length
26.125" - 29.124"	2	10816368	20.500"
29.125" - 32.124"	2	10816317	23.500"
32.125" - 35.124"	2	10816328	26.500"
35.125" - 38.124"	2	10816318	29.500"
38.125" - 41.124"	2	10816329	32.500"
41.125" - 44.124"	2	10816319	35.000"***
44.125" - 47.124"	2	10816330	38.500"***
47.125" - 50.124"	2	10816320	41.500"***
50.125" - 53.124"	2	10816353	44.500"***
53.125" - 56.124"	3	10816339	47.500"
56.125" - 59.124"	3	10816354	50.500"
59.125" - 62.124"	3	10816340	53.500"
62.125" - 65.124"	3	10816355	56.500"
65.125" - 68.124"	3	10816324	59.500"
68.125" - 71.124"	3	10816356	62.500"
71.125" - 74.124"	3	10816325	65.500"
74.125" - 77.124"	3	10816357	68.500"
77.125" - 80.124"	3	10816326	71.500"
80.125" - 83.124"	3	10816358	74.500"
83.125" - 86.124"	3	10816359	77.500"
86.125" - 96.125"	3	10816327	79.500"
**Center support component is used for 35.500" - 44.500" two point tie bars.			
Center support is positioned approximately at center of tie bar between cams on jamb.			

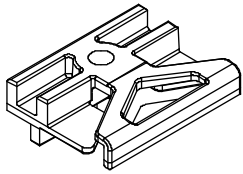
Casement Round Top/Casement Narrow Frame Round Top Radius Tie Bar Assemblies for RT2, RT30 and RT37, Location of Lock Point is at 1/3 Arc				
Radius Range	Spring Line to Lock Point	PN	Tie Bar Length	Tie Bar Radius
*10.75" - 13.99"	12"	10816360	15.500"	12"
14" - 17.999"	16"	10816361	19.500"	16"
18" - 20"	20"	10816362	24.500"	20"
Casement Round Top/Casement Narrow Frame Round Top Radius Tie Bar Assemblies for RT9, RT10, RT33, RT34, RT40, and RT41, Location of Lock Point is at 1/2 Arc.				
Radius Range	Spring Line to Lock Point	PN	Tie Bar Length	Tie Bar Radius
*18" - 21.999"	15"	10816363	19.500"	20"
*22" - 25.999"	18"	10816364	22.500"	24"
26" - 29.999"	21"	10816365	25.500"	28"
30" - 33.999"	24"	10816366	28.500"	32"
34" - 40"	28"	10816367	32.500"	37"
*Needed for CW certification only				

Tie Bar Support

- Casement Operator Round Top*
- Casement Narrow Frame Round Top*
- Casement Operator Polygon*
- Casement Narrow Frame Operator Polygon*

Color	PN
Black	10815284

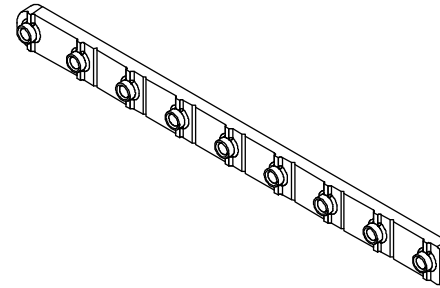
Suggested Fastener		
1	#8 x 1 1/4" pan head screw	11800557



Tie Bar Connector

- Casement Operator Round Top*
- Casement Narrow Frame Round Top*
- Casement Operator Polygon*
- Casement Narrow Frame Operator Polygon*

Color	PN
Zinc	10815285



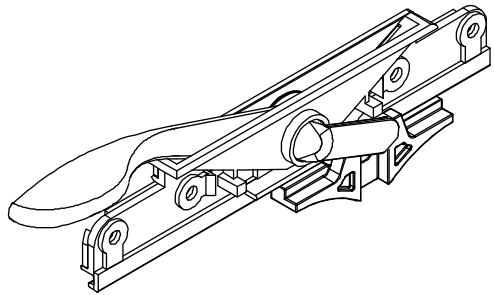
Handle Assembly

Venting Picture

Includes:

- 1 - Handle assembly
- 2 - #8 x 1" Phillips pan head self-tapping screws (11808100)

Color	LH PN	RH PN
White	10898209	10898200
Bronze	10898210	10898201
Satin Taupe	10898211	10898202
Brass	10898212	10898204
Antique Brass	10898214	10898206
Satin Chrome	10898213	10898205
Satin Nickel	10898216	10898208
Oil Rubbed Bronze	10898215	10898207
Polished Chrome	10898217	10898218



RH Shown

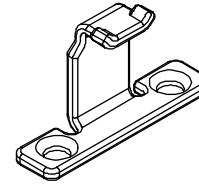
Keeper Kit

Venting Picture

Includes:

- 2 - Keepers (10814816)
- 4 - #8-18 x 1 1/4" Phillips flat head self-tapping screws (11808118)

PN
11860701



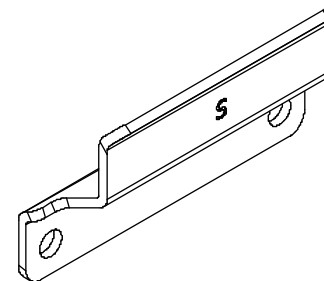
Secondary Lock Clip

Venting Picture

Includes:

- 1-Secondary lock clip
- 2 - #8-18 x 1 1/2" Phillips truss head self-tapping screws (11808150)

PN
105551



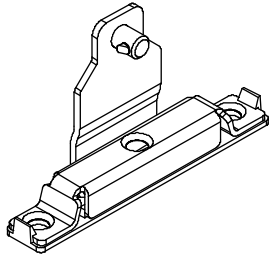
Sash Bracket

Venting Picture

Includes:

- 1 - Sash bracket
- 3 - #8 x 1 1/4" Phillips flat head, Type AB stainless steel screws (11808118)

PN
10810013



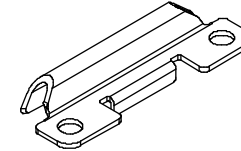
Frame Bracket

Venting Picture

Includes:

- 1-Frame bracket
- 2-#8 x 1" full thread screws (11808100)

PN
10810014



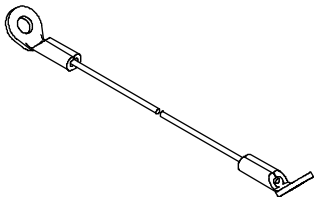
Structural Cable

Venting Picture

Includes:

- 1 - Structural cable
- 2 - #8 x 1" full thread screws (11808100)

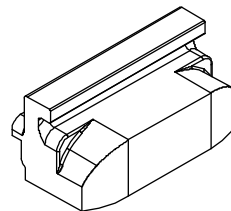
PN
10810015



Cam

Venting Picture

PN
10811002



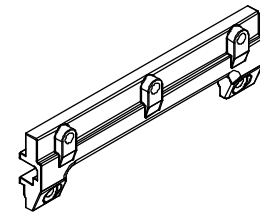
Cam Retainer

Venting Picture

Includes:

- 1-Retainer
- 2 - #8 x 1" Phillips full thread screws (11808100)

PN
10811003



Hardware Assembly

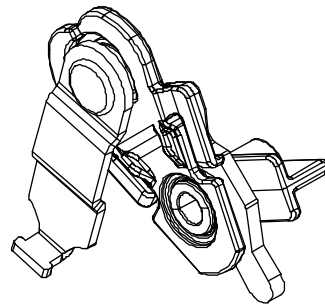
Venting Picture

Includes:

- 1 - Hardware assembly
- 2 - #8-18 x 1 1/2" Phillips truss head self-tapping screws (11808150)
- 2 - #8-18 x 1 1/2" Phillips truss head self-tapping screws with shims washers (11808151)
- 6 - #7HD-#8-18 x 1" Phillips flat head self-tapping screws (11800771)

CN	LH PN	RH PN	Pairs
CN 36	10810508	10810501	11851136
CN 40	10810509	10810502	11851140
CN 48	10810510	10810503	11851148
CN 56	10810511	10810504	11851156
CN 60	10810512	10810505	11851160
CN 64	10810513	10810506	11851164
CN 72	10810524	10810523	11851272
CN 78	10810519	10810515	11851178
CN84	10810520	10810516	11851184
CN 92	10810521	10810517	11851192
CN 96	10810522	10810518	11851196





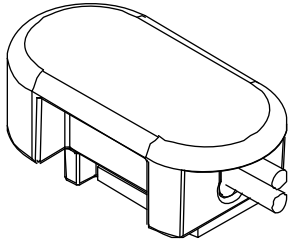
Lock Base Assembly

For units manufactured before 10/04/2008

Replace with current

Reed Capsule

Color	PN
Black	10501846

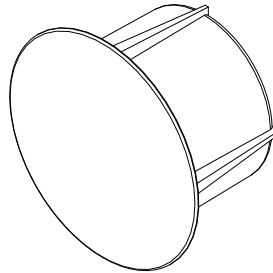


Magnet Housing Assembly

Includes:

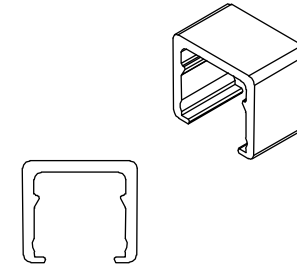
- 1 - Magnet, 1/4" x 5/8" N52
- 1 - Magnet housing

Color	PN
Black	10501836
White	10501837



Lock Status Sensor Clip

PN
10500890

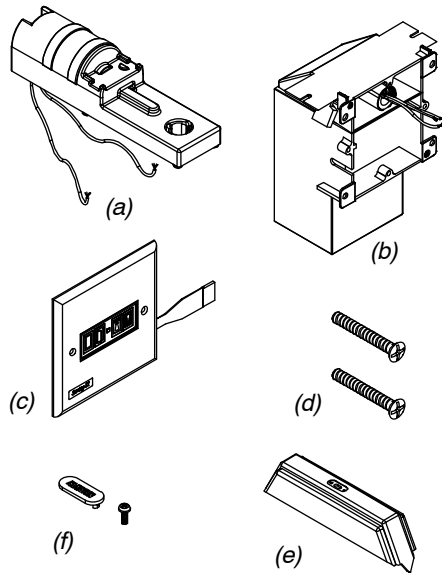


Sentry II Operator Kit, Complete

Includes:

- 1 – Operator motor (a)
- 1 – Control box (b) (05570558)
- 1 – Cover plate (c) (05570559)
- 1 – Cover plate screws (d)
- 1 – Decorative cover (e)
- 1 – Decorative button (f)
- 1 – Hardware package (PN 05570557, contents shown to the right)

Color	PN
Satin Taupe	05570536
Bronze	05570538
White	05570537



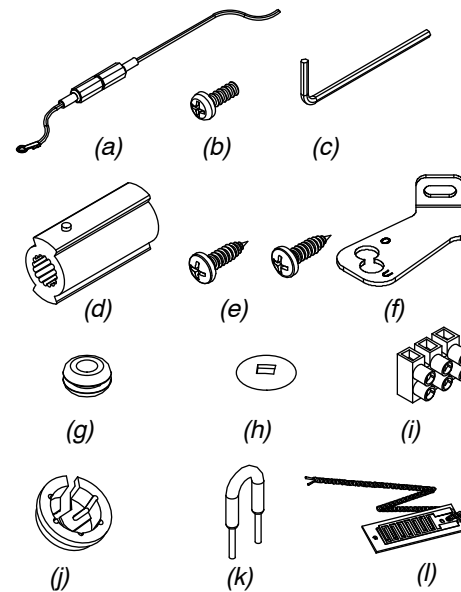
Hardware Package

For Sentry II Operator

Includes:

- 1 – Screen interlock (a)
- 2 – Screen interlock mounting screws (b)
- 1 – Hex wrench (c)
- 1 – Spline adaptor (d)
- 2 – #8 x 5/8 pan head bracket screws (e)
- 1 – Bracket (f)
- 1 – Isolation grommet (g)
- 1 – Push on fastener (h)
- 1 – Connector (i)
- 1 – Strain relief (j)
- 1 – Wire piece (k)
- 1 – Rain sensor (l)

PN
05570557



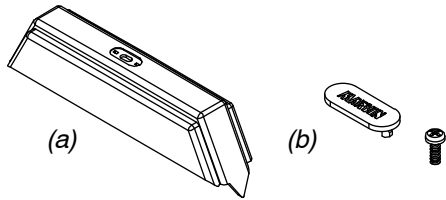
Decorative Cover Kit

For Sentry II Operator

Includes:

- 1 - Motor cover (a)
- 1 - Decorative button with screw (b)

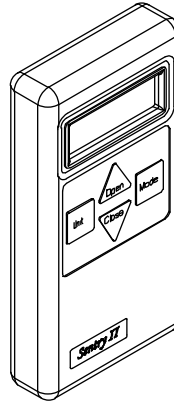
Color	PN
Satin Taupe	05570554
Bronze	05570556
White	05570555



Remote Control

For Sentry II Operator

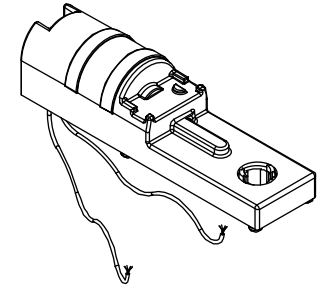
PN
05570541



Replacement Operator Motor

For Sentry II Operator

PN
05570543

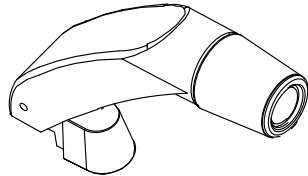


Folding Handle

Includes:

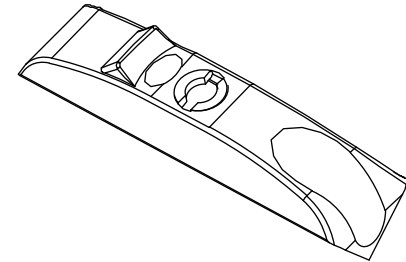
- 1 - Handle with set screw

Color	PN
Satin Taupe	10898282
Bronze	10898302
White	10898292
Brass	10898312
Antique Brass	10898322
Satin Chrome	10898342
Satin Nickel	10898362
Oil Rubbed Bronze	10898352



Folding Handle Cover

Color	PN
Satin Taupe	10898281
Bronze	10898301
White	10898291
Brass	10898311
Antique Brass	10898321
Satin Chrome	10898341
Satin Nickel	10898361
Oil Rubbed Bronze	10898351



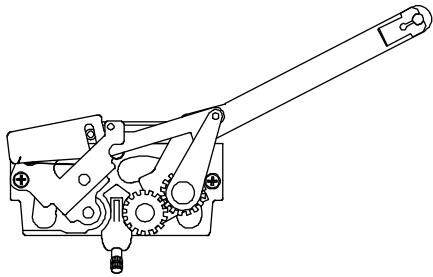
Roto-gear Operator, Op-O-Lock

For 6" (152) guide bar

Includes:

- 1 - Roto-gear
- 5 - #8 x 1" Phillips flat head wood screws (11800740)

Description	PN
CN 28 to under CN 36 width	10811423



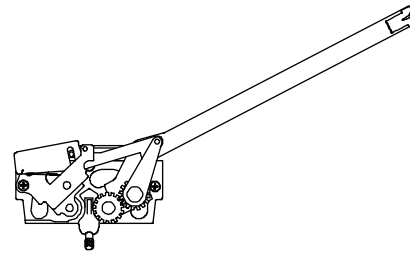
Roto-gear Operator, Op-O-Lock

For 10" (254) guide bar

Includes:

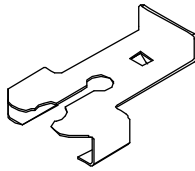
- 1 - Roto-gear
- 5 - #8 x 1" Phillips flat head wood screws (11800740)

Description	PN
CN 36 width and over	10811422



Detach Clip, Awning Roto-Gear

Color	PN
Mill Finish	10814838

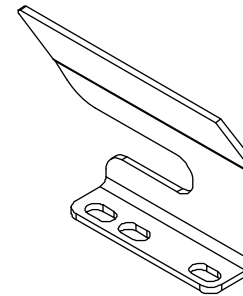


Keeper, Op-O-Lock

Includes:

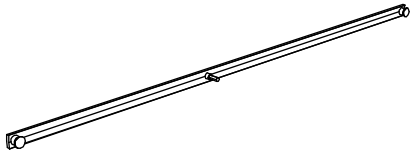
- 1 - Keeper
- 3 - #8 x 1" Phillips flat head wood screws (11808101)

PN
10817204



Tie Bar, Op-O-Lock

Description	Length	PN
CN 28 to under CN 36 width	22 3/8" (568)	10816121
CN 36 to under CN 48 width	30 3/8" (772)	10816132
CN 48 width and over	42 3/8" (1076)	10816141

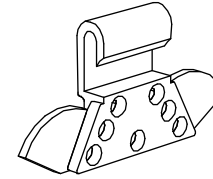


Tie Bar Guide, Op-O-Lock

Includes:

- 1 - Tie bar guide
- 3 - #8 x 1" Phillips flat head wood screws (11800740)

PN
10811406

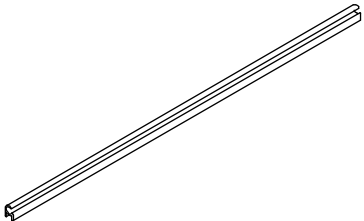


Guide Bar, Op-O-Lock

Includes:

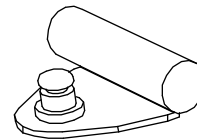
- 1 - Guide bar
- 2 - #7HD - #8-18 x 1" Phillips flat head wood screw (11800773)

Description	Length	PN
CN 28 to under CN 36 width	6 3/4" (171)	11101206
CN 36 width and over	10 1/4" (260)	11101210



Guide Bar Shoe

Color	PN
Mill Finish	10811430



WOCD Field Applied, Complete for Sash and Frame

Ultimate Casement

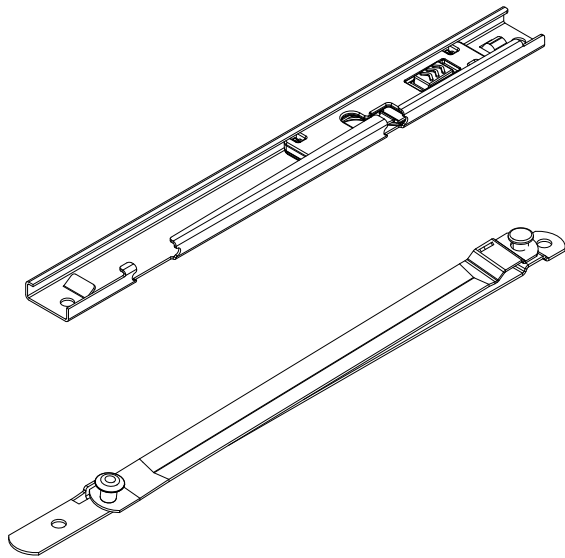
Includes:

- 1 - Sash arm, non-self locating (Type A shown)
- 1 - Frame track, self locating (Type A shown)
- 5 - #8 x 1/2" Phillips pan head stainless steel screws
- 1 - Template, Ultimate Full Frame Crankout Casement
- 1 - WOCD field applied installation instructions
- 1 - Casement WOCD safety information

Usage dates:

08/29/2022 to present

Kit	Handing	Finish	PN
A	LH	Stainless	11852532
B	RH	Steel	11852533



WOCD Field Applied, Complete for Sash and Frame

Ultimate Casement Narrow Frame

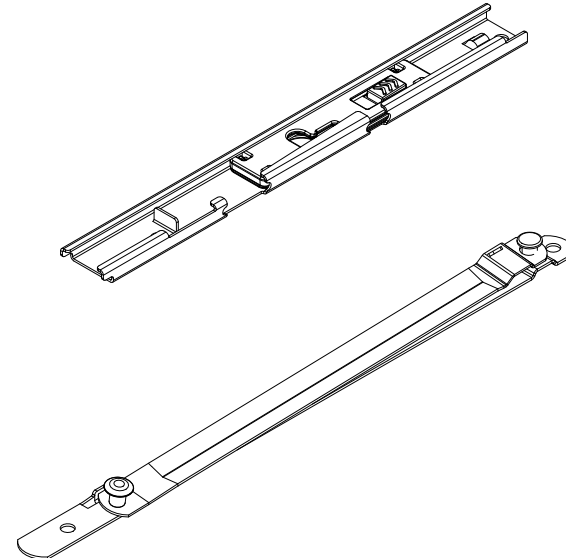
Includes:

- 1 - Sash arm, non-self locating (Type A shown)
- 1 - Frame track, narrow profile (Type A shown)
- 5 - #8 x 1/2" Phillips pan head stainless steel screws
- 1 - Template, Ultimate Narrow Frame Casement
- 1 - WOCD field applied installation instructions
- 1 - Casement WOCD safety information

Usage dates:

08/29/2022 to present

Kit	Handing	Finish	PN
A	LH	Stainless	11852534
B	RH	Steel	11852535



NOTE: For windows without factory-applied WOCD, refer to Product Bulletin 840 for more information.

WOCD Field Applied, Frame

Ultimate Casement

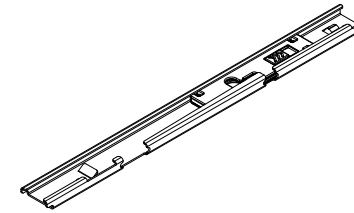
Includes:

- 1 - Frame Track, self locating (Type A shown)
- 2 - #8 x 1/2" Phillips pan head stainless steel screws
- 1 - Template, Ultimate Full Frame Crankout Casement
- 1 - WOCD field applied installation instructions
- 1 - Casement WOCD safety information

Usage dates:

08/29/2022 to present

Kit	Handing	Finish	PN
A	LH	Stainless Steel	11852546
B	RH		11852547



WOCD Field Applied, Frame

Ultimate Casement Narrow Frame

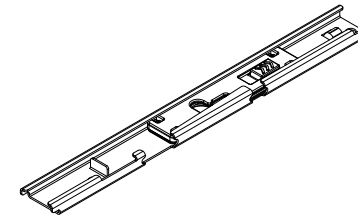
Includes:

- 1 - Frame Track, narrow profile (Type A shown)
- 2 - #8 x 1/2" Phillips pan head stainless steel screws
- 1 - Template, Ultimate Narrow Frame Casement
- 1 - WOCD field applied installation instructions
- 1 - Casement WOCD safety information

Usage dates:

08/29/2022 to present

Kit	Handing	Finish	PN
A	LH	Stainless Steel	11852550
B	RH		11852551



WOCD Field Applied, Sash

Ultimate Casement

Ultimate Casement Narrow Frame

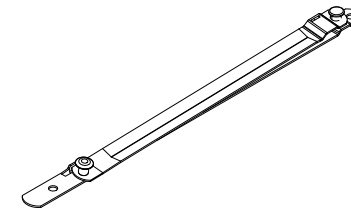
Includes:

- 1 - Sash arm, non-self locating (Type A shown)
- 3 - #8 x 1/2" Phillips pan head stainless steel screws
- 1 - Template, Ultimate Full Frame Crankout Casement
- 1 - WOCD field applied installation instructions
- 1 - Casement WOCD safety information

Usage dates:

08/29/2022 to present

Kit	Handing	Finish	PN
A	LH	Stainless Steel	11852544
B	RH		11852545



NOTE: For windows without factory-applied WOCD, refer to Product Bulletin 840 for more information.

WOCD Field Applied, Complete for Sash and Frame

Ultimate Casement Push Out

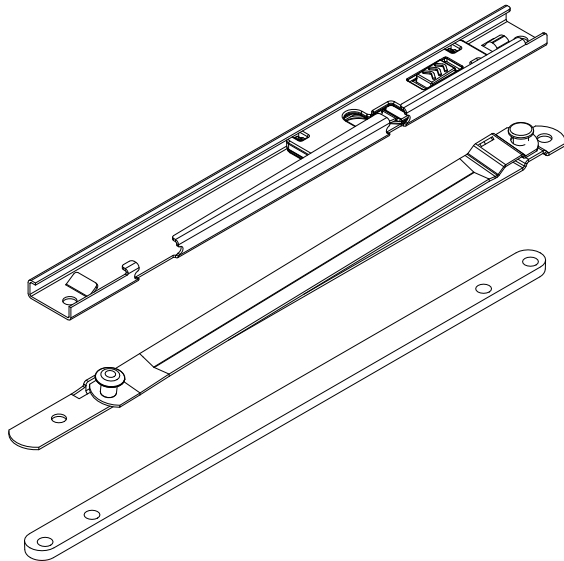
Includes:

- 1 - Sash arm, non-self locating (Type A shown)
- 1 - Frame track, non self locating (Type A shown)
- 1 - Non-self locating shim
- 5 - #8 x 1/2" Phillips pan head stainless steel screws
- 1 - Template, Ultimate Full Frame Push Out Casement
- 1 - WOCD field applied installation instructions
- 1 - Casement WOCD safety information

Usage dates:

08/29/2022 to present

Kit	Handing	Finish	PN
A	LH	Stainless	11852536
B	RH	Steel	11852537



WOCD Field Applied, Complete for Sash and Frame

Ultimate Casement Narrow Frame Push Out

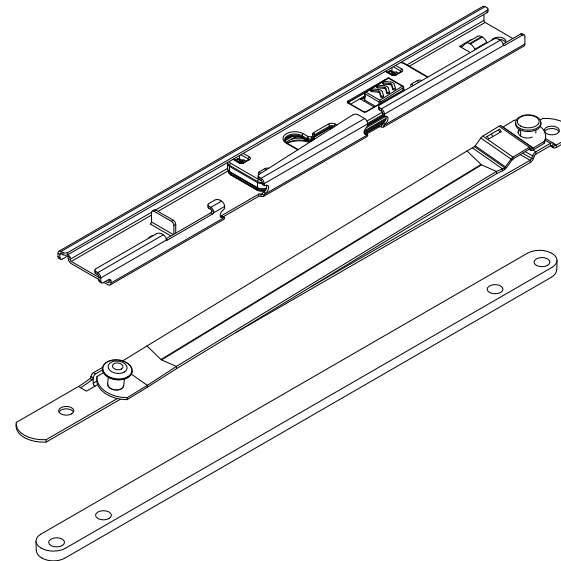
Includes:

- 1 - Sash arm, non-self locating (Type A shown)
- 1 - Frame Track, narrow profile (Type A shown)
- 1 - Non-self locating shim
- 5 - #8 x 1/2" Phillips pan head stainless steel screws
- 1 - Template, Ultimate Narrow Frame Push Out Casement
- 1 - WOCD field applied installation instructions
- 1 - Casement WOCD safety information

Usage dates:

08/29/2022 to present

Kit	Handing	Finish	PN
A	LH	Stainless	11852538
B	RH	Steel	11852539



NOTE: For windows without factory-applied WOCD, refer to Product Bulletin 840 for more information.

WOCD Field Applied, Sash

Ultimate Casement Push Out

Ultimate Casement Narrow Frame Push Out

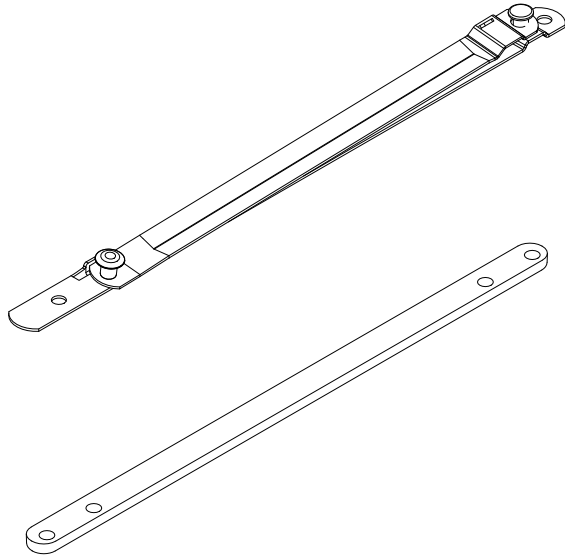
Includes:

- 1 - Sash arm, non-self locating (Type A shown)
- 1 - Non-self locating shim
- 3 - #8 x 1/2" Phillips pan head stainless steel screws
- 1 - Template, Ultimate Full Frame Push Out Casement
- 1 - WOCD field applied installation instructions
- 1 - Casement WOCD safety information

Usage dates:

08/29/2022 to present

Kit	Handing	Finish	PN
A	LH	Stainless Steel	11852554
B	RH		11852555



WOCD Field Applied, Frame

Ultimate Casement Push Out

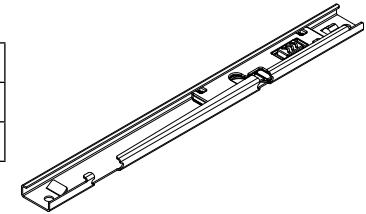
Includes:

- 1 - Frame track, non-self locating (Type A shown)
- 2 - #8 x 1/2" Phillips pan head stainless steel screws
- 1 - Template, Ultimate Full Frame Push Out Casement
- 1 - WOCD field applied installation instructions
- 1 - Casement WOCD safety information

Usage dates:

08/29/2022 to present

Kit	Handing	Finish	PN
A	LH	Stainless Steel	11852548
B	RH		11852549



WOCD Field Applied, Frame

Ultimate Casement Narrow Frame Push Out

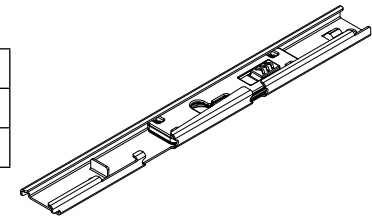
Includes:

- 1 - Frame Track, narrow profile (Type A shown)
- 2 - #8 x 1/2" Phillips pan head stainless steel screws
- 1 - Template, Ultimate Narrow Frame Push Out Casement
- 1 - WOCD field applied installation instructions
- 1 - Casement WOCD safety information

Usage dates:

08/29/2022 to present

Kit	Handing	Finish	PN
A	LH	Stainless Steel	11852552
B	RH		11852553



NOTE: For windows without factory-applied WOCD, refer to Product Bulletin 840 for more information.

WOCD Field Applied and Replacement Kit, Frame

Ultimate Casement

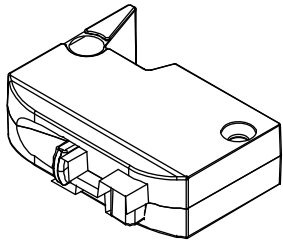
Includes:

- 1 – WOCD, locking assembly
- 2 – #8 x 1 1/2" Type AB, 2/3 thread screw
- 1 – UCA WOCD safety information
- 1 – UCA WOCD field applied instructions
- 1 – WOCD hang tag

Usage dates:

4/27/2020 to 8/29/2022

Color	PN
Satin Taupe	11850970
Stone White	11850971
Brass	11850972
Antique Brass	11850973
Satin Nickel	11850974
Polished Chrome	11850975
Satin Chrome	11850976
Oil Rubbed Bronze	11850977
Bronze	11850978
Matte Black	11850979



WOCD Field Applied and Replacement Kit, Sash

Ultimate Casement

Includes:

- 1 – WOCD tether assembly
- 2 – #8–15 x 1" , Type A–17, full thread screw
- 1 – WOCD safety information
- 1 – WOCD field applied instructions
- 1 – WOCD hang tag

Usage dates:

4/27/2020 to 8/29/2022

Color	PN
Beige	11850980



NOTE: For windows without factory-applied WOCD, refer to Product Bulletin 758 for more information.

WOCD Field Applied and Replacement Kit, Complete

Ultimate Casement

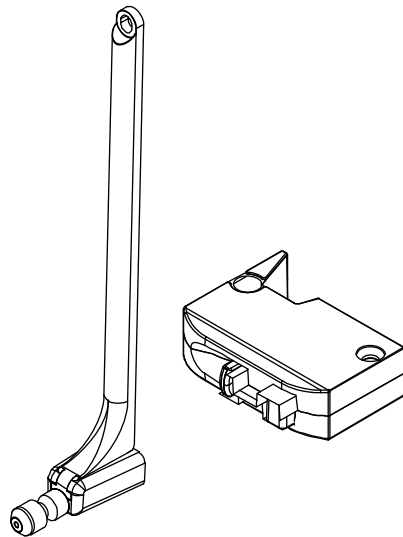
Includes:

- 1 – WOCD tether assembly
- 2 – #8–15 x 1” , Type A–17, full thread screw
- 1 – WOCD, locking assembly
- 2 – #8 x 1 1/2” Type AB, 2/3 thread screw
- 1 – WOCD safety information
- 1 – WOCD field applied instructions
- 1 – WOCD hang tag
- 1 – WOCD sticker

Usage dates:

4/27/2020 to 8/29/2022

Color	PN
Satin Taupe	11850711
Stone White	11850712
Brass	11850713
Antique Brass	11850714
Satin Nickel	11850715
Polished Chrome	11850716
Satin Chrome	11850717
Oil Rubbed Bronze	11850718
Bronze	11850719
Matte Black	11850720



NOTE: For windows without factory-applied WOCD, refer to Product Bulletin 758 for more information.

Snubber Replacement Kit

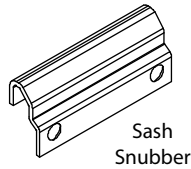
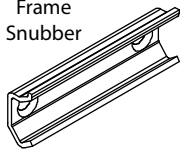
All Casement products (excluding IZ3 and Awning Push Out products)

Includes:

- 4 - Frame snubbers (11861161)
- 8 - #7-19 x 5/8" screws (11800736)
- 4 - Sash snubbers (11861160)
- 8 - #8-15 x 1" screws (11800551)

PN
11862419

Frame Snubber



Sash Snubber

Snubber Replacement Kit

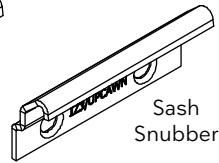
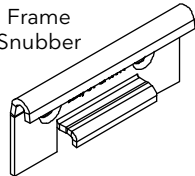
IZ3 and Awning Push Out products

Includes:

- 1 - Frame snubber (11861175)
- 2 - #7-19 x 5/8" screw (11800736)
- 1 - Sash snubber (11861174)
- 2 - #8-15 x 1" screw (11800551)

PN
11862420

Frame Snubber



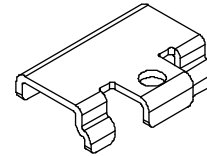
Sash Snubber

Impact Tie Bar Hold Down

IZ3/IZ4

PN
10816392

Suggested Fastener	PN
1 - #8 x 1 1/4" pan head screw	11800557



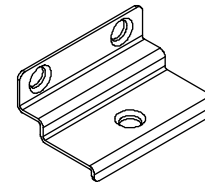
Stationary Bracket

Includes:

- 1 - Bracket
- 3 - #8 - 18 x 1" Steel Zinc E-Gard (11800552)

NOTE: Used on all stationary units

PN
11860340



Sash Strike Kit

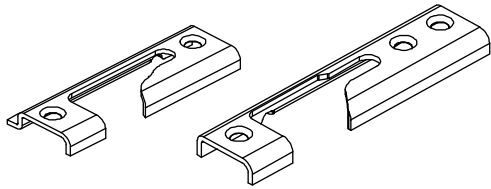
French Casement

Includes:

- 2 – Header, Sill Astragal Strike (10817210)
- 1 – Header, Astragal Strike (10817211)
- 7 – #8 x 1 1/4" Phillips flat head SST screws (11808118)

NOTE: For units produced after 03/27/2017.
For units produced prior to 03/27/2017 contact your Marvin Representative.

PN
11851611



Frame Kit Width <50 1/2"

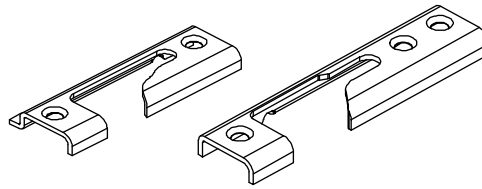
French Casement

Includes:

- 1 – Header, Sill Astragal Strike (10817210)
- 1 – Header, Astragal Strike (10817211)
- 5 – #8 x 3" Phillips flat head SST screws (11800858)

NOTE: For units produced after 03/27/2017.
For units produced prior to 03/27/2017 contact your Marvin Representative.

PN
11851613



Frame Kit Width = and >50 1/2"

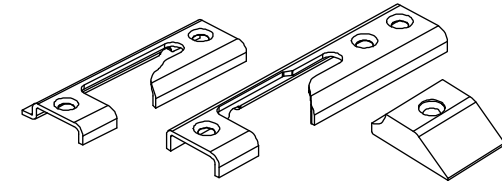
French Casement

Includes:

- 2 – Header, Sill Astragal Strike (10817210)
- 1 – Header, Astragal Strike (10817211)
- 2 – Sill Ramp (10817200)
- 7 – #8 x 3" Phillips flat head SST screws (11800858)
- 2 – #8 x 7/8" Phillips flat head SST screws (11806100)

NOTE: For units produced after 03/27/2017.
For units produced prior to 03/27/2017 contact your Marvin Representative.

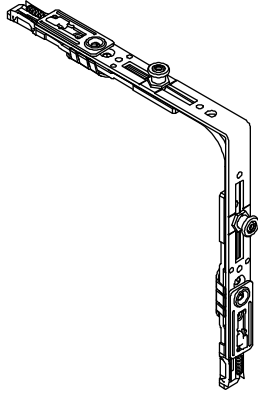
PN
11851615



Top Corner Drive

French Casement

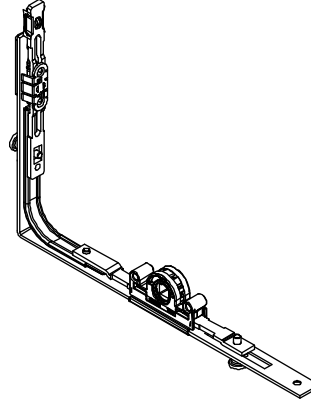
PN
10816431



Bottom Corner Drive

French Casement

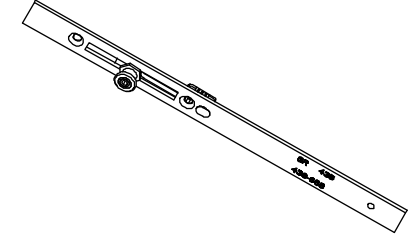
PN
10816430



Top Corner Extension, 206mm

French Casement

PN
10816432

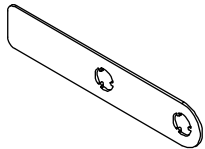


Top Corner Drive Filler

French Casement

NOTE: For units under 51 1/2" frame size width

PN
10816433



Shoot Bolt Strike

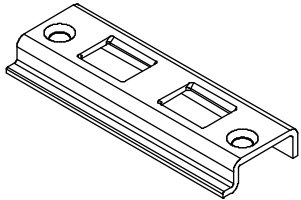
French Casement Push Out

Ultimate French Casement Narrow Frame Push Out

Includes:

2 – #10 x 3" screws (11801031)

PN
10817197



Sill Ramp

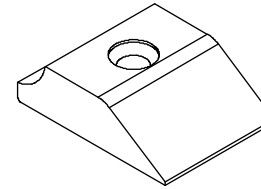
French Casement Push Out

Ultimate French Casement Narrow Frame Push Out

Includes:

1 – #8x 7/8" screw (11806100)

PN
10817200



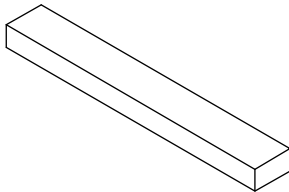
Astragal Block Seal

French Casement

French Casement Push Out

Ultimate French Casement Narrow Frame Push Out

PN
11869827



Astragal Block

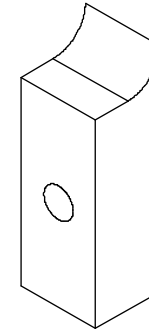
French Casement Push Out

Ultimate French Casement Narrow Frame Push Out

Includes:

1 – #4x 3/4" screw (11800334)

Color	PN
Beige	10817201



Friction Limiter Track Assembly

Casement/French Casement Push Out products

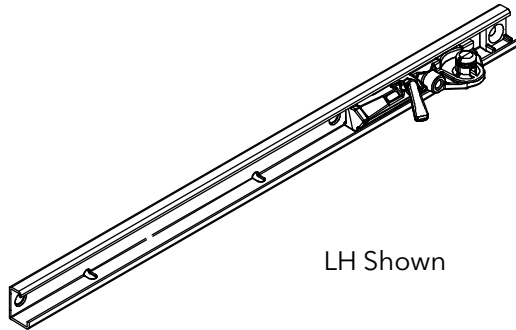
Includes:

1 - Track, Arm, Bracket Assembly

#8 x 1" flat head screws, E-Gard (11800552) or Stainless Steel (11800556)

#8 x 1 1/8" screws (11800555)

Frame width sizes	Color	LH PN	RH PN
Casement Push Out 16" (406) - 19 31/32" (507) and French Casement Push Out 36" (914) - 38 11/16" (983)	E-Gard	10817130	10817131
	Stainless Steel	10827130	10827131
Casement Push Out 20" (508) - 28 1/2" (724) and French Casement Push Out 38 3/4" (984) - 55 11/16" (1414)	E-Gard	10817133	10817134
	Stainless Steel	10827133	10827134
Casement Push Out 28 17/32" (725) - 35" (889) and French Casement Push Out 55 3/4" (1416) - 68 11/16" (1745)	E-Gard	10817136	10817137
	Stainless Steel	10827136	10817137
Casement Push Out 35 1/32" (890) - 40" (1016) and French Casement Push Out 68 3/4" (1746) and greater	E-Gard	10817139	10817140
	Stainless Steel	10827139	10827140



LH Shown

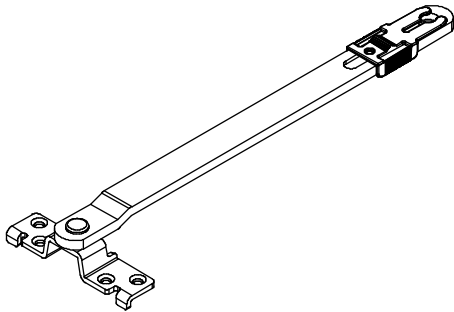
Limiters Arm Assembly

Casement/French Casement Push Out products

Includes:

- 1 - Track, Arm, Bracket Assembly
- #8 x 1" flat head screws, E-Gard (11800552) or Stainless Steel (11800556)
- #8 x 1 1/8" screws, (11800555)

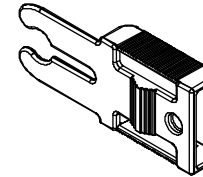
Frame width sizes	Color	PN
Casement Push Out 16" (406) - 19 31/32" (507) and French Casement Push Out 36" (914) - 38 11/16" (983)	E-Gard	10817132
	Stainless Steel	10827132
Casement Push Out 20" (508) - 28 1/2" (724) and French Casement Push Out 38 3/4" (984) - 55 11/16" (1414)	E-Gard	10817135
	Stainless Steel	10827135
Casement Push Out 28 17/32" (725) - 35" (889) and French Casement Push Out 55 3/4" (1416) - 68 11/16" (1745)	E-Gard	10817138
	Stainless Steel	10827138
Casement Push Out 35 1/32" (890) - 40" (1016) and French Casement Push Out 68 3/4" (1746) and greater	E-Gard	10817141
	Stainless Steel	10827141



Friction Limiter Slider

NOTE: For field replacement

PN
10500453

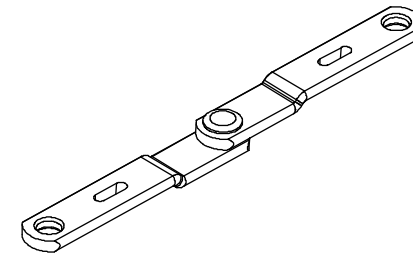


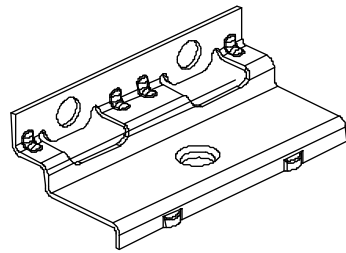
Sash Limiter Arm

Push Out products

PN
10814818

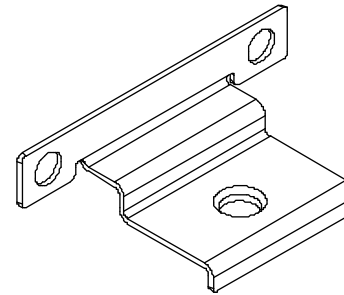
Suggested Fastener	PN
2 - Snap Studs for each sash limiter arm	10814819





Stationary Bracket

Used until 5/5/2011. Replace with current



Stationary Bracket

Used until 6/29/2009. Replace with current

#8 x 3" Square Head Screw

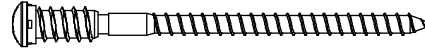
PN
11800550



Jamb Jack Screw

2 per unit

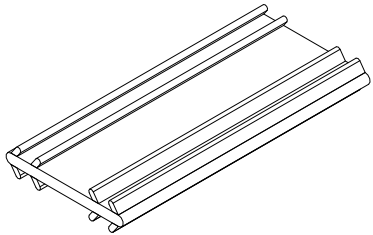
PN
11800553



Connecting Barb

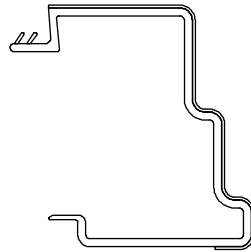
V803

Length	PN
Specify LF	15812999



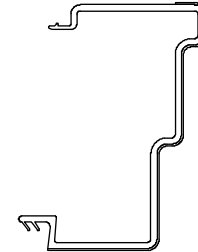
To order, specify (use all that apply):

1. Original order number/line number
2. Profile
3. Type of unit (operating, stationary, picture, awning or venting picture)
4. Unit inside opening, rough opening or frame size (include both height and width measurements for Venting Picture units)
5. Length
6. Handing
 - a. NOTE: For casement operating - Left hand or right hand as determined from the location of the hinges on the exterior of the unit.
7. Species (if applicable)
8. Finish
9. State "Prep for Window Opening Control Device" (WOCD) when applicable



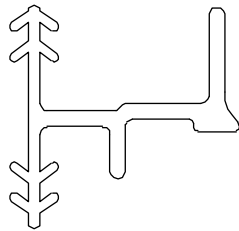
Jamb Side Stop, V1666

Casement: Order as lock side, hinge side (no lock), or pair.
 Awning: Order as LH or RH side, or pair (viewed from exterior)

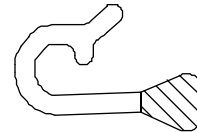


Vinyl Side Stop, V1926, Venting Picture Only

Order as LH, RH, or pair (viewed from exterior)

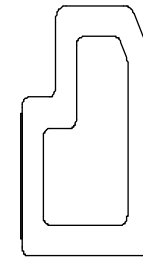


Glazing Bead, Sash, V2843



Accessory Kerf Gasket, V1660

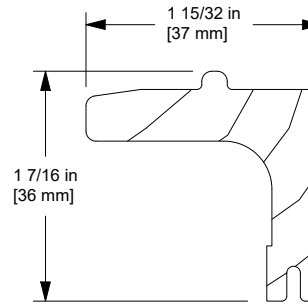
Used on A1530, A1531, A1532, A1533, A1557



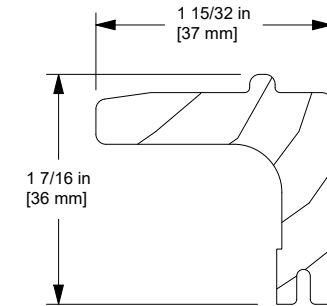
Stationary Sash Block, V1613

To order, specify:

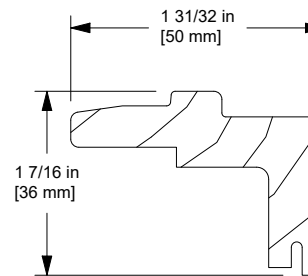
1. Profile number or part number
2. Inside opening (needs to include both height and width measurements for Venting Picture units).
3. Type of unit
4. Left hand or right hand operation for casement (as determined from the location of the hinges on the exterior of the unit).
5. Length
6. Finish
7. Species (if applicable)
8. State "Prep for Window Opening Control Device" (WOCD) when applicable.



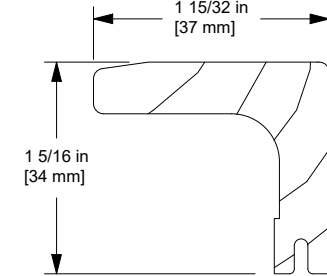
Sill Cover, W9788



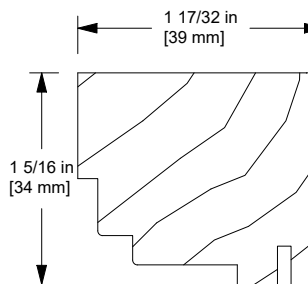
Sill Cover, Operator, W10430



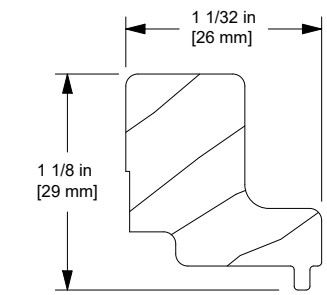
Sill Stop, W10667



Sill Cover, W10329



Sill Cover, Stationary, W10454



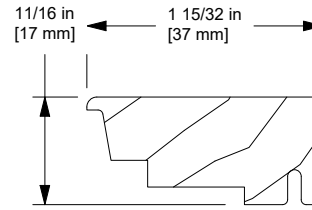
Sill Support Block, W10696

Profile	Description
W9788	Sill Cover Operator and Stationary
W10430	Sill Cover - Operator Casement Round Top, Casement Narrow Frame Round Top
	Sill Cover - Operator and Stationary Casement Polygon, Casement Narrow Frame Polygon
W10667	Sill Stop Casement Venting Picture, Op-O-Lock Sill Cover - Awning
W10329	Sill Cover Casement Push Out, Casement Push Out Narrow Frame, French Casement Push Out, Ultimate French Casement Narrow Frame Push Out
W10454	Sill Cover - Stationary Ultimate Casement Narrow Frame Stationary Round Top Ultimate Casement Narrow Frame Stationary Polygon
W10696	Sill Support Block French Casement, French Casement Push Out French Casement Round Top, Venting Picture

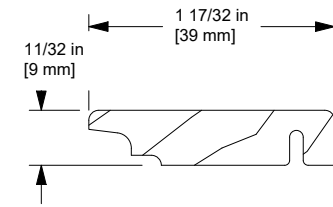
To order, specify:

1. Profile number or part number
2. Inside opening (needs to include both height and width measurements for Venting Picture units).
3. Type of unit
4. Left hand or right hand operation for casement (as determined from the location of the hinges on the exterior of the unit).
5. Length
6. Finish
7. Species (if applicable)
8. State "Prep for Window Opening Control Device" (WOCD) when applicable.

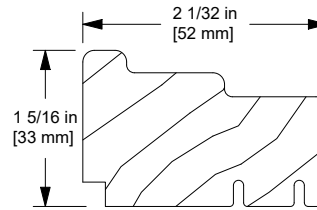
Profile	Description
W11312	Head Jamb Stop, Stationary Push Out
W10230	Jamb Stop Push Out products
W10759	Op-O-Lock Jamb Stop Awning Optional Solid Wood Stop Venting Picture
W11311	Jamb Stop, Stationary Push Out products
W9790	Jamb Stop, Stationary Casement, Casement Narrow Frame, Casement Round Top Jamb Stop - Stationary and Operator Casement Narrow Frame Round Top, Casement Polygon Casement Narrow Frame Polygon
W10670	Op-O-Lock Head Jamb Stop Awning Head Jamb Stop Venting Picture



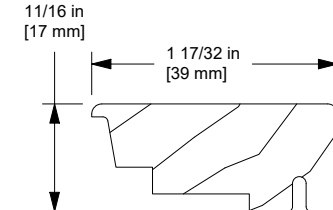
**Head Jamb Stop Stationary,
W11312**



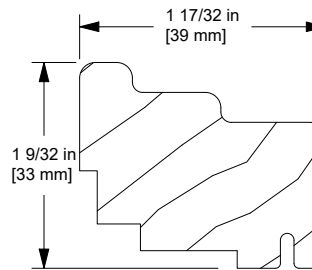
Jamb Stop, W10230



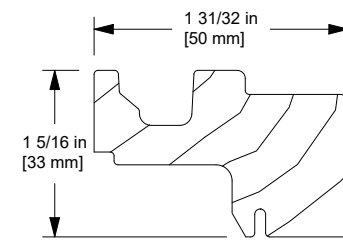
**Optional Solid Wood Stop,
W10759**



**Jamb Stop, Stationary,
W11311**



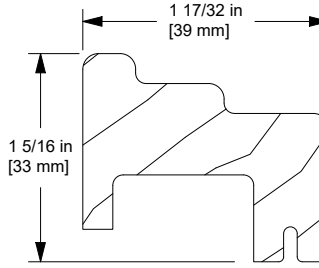
**Stationary Solid Wood
Jamb Stop, W9790**



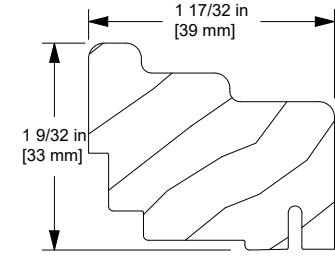
**Op-O-Lock Head Jamb
Stop, W10670**

To order, specify:

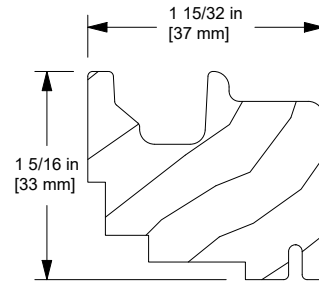
1. Profile number or part number
2. Inside opening (needs to include both height and width measurements for Venting Picture units).
3. Type of unit
4. Left hand or right hand operation for casement (as determined from the location of the hinges on the exterior of the unit).
5. Length
6. Finish
7. Species (if applicable)
8. State "Prep for Window Opening Control Device" (WOCD) when applicable.



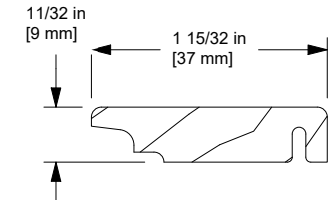
**Solid Wood Jamb Stop,
W12988**



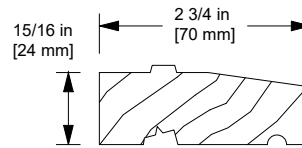
Head Jamb Stop, W9767



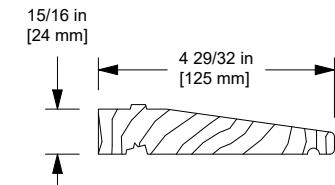
Head Jamb Stop, W9787



Head Jamb Stop, W10231



Subsill, W10333

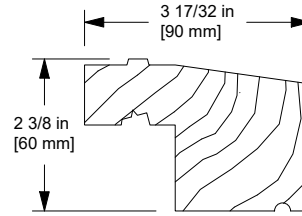


**3 1/2" Extended Subsill,
W10342**

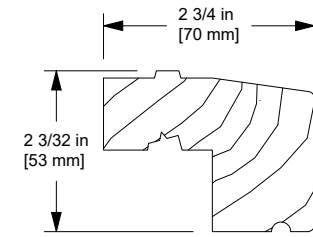
Profile	Description
W12988	Jamb Stop, Operator French Casement – stationary (optional) Ultimate Casement Operator Polygon Ultimate Awning, Ultimate Awning Narrow Frame, Ultimate Casement, Ultimate Casement Narrow Frame IZ4 (where applicable)
W9767	Head Jamb Stop Casement Round Top, French Casement Round Top Casement Narrow Frame Round Top
W9787	Head Jamb Stop Operator and Stationary
W10231	Head Jamb Stop Push Out Sill Cover Push Out Awning
W10333	Subsill – Ultimate Wood products Casement/Picture/Awning, Push Out/Picture/Awning Casement Round Top, French Casement French Casement Push Out Casement Narrow Frame Round Top
W10342	3 1/2" Extended Subsill – Ultimate Wood products Casement/Picture/Awning, Push Out/Picture/Awning Casement Round Top, Casement Narrow Frame Round Top

To order, specify:

1. Profile number or part number
2. Inside opening (needs to include both height and width measurements for Venting Picture units).
3. Type of unit
4. Left hand or right hand operation for casement (as determined from the location of the hinges on the exterior of the unit).
5. Length
6. Finish
7. Species (if applicable)
8. State "Prep for Window Opening Control Device" (WOCD) when applicable.

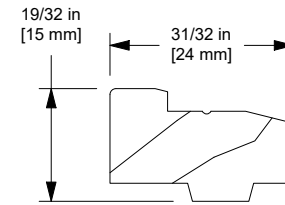


Extended 2" Simulated Thick Sill, W10341

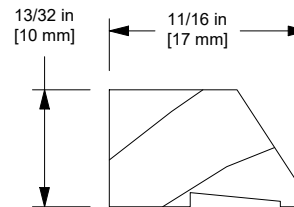


2" Simulated Thick Sill, W10340

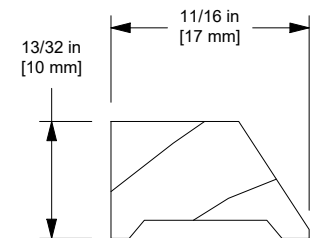
Profile	Description
W10341	Extended 2" Simulated Thick Sill – Ultimate Wood products Casement/Picture/Awning, Push Out/Picture/Awning Casement Narrow Frame, French Casement French Casement Push Out, Casement Round Top Casement Narrow Frame Round Top
W10340	2" Simulated Thick Sill – Ultimate Wood products Casement/Picture/Awning, Push Out/Picture/Awning Casement Round Top, Casement Narrow Frame Round Top
W11076	Sill Riser – Ultimate Wood products Casement/Picture/Awning, Push Out/Picture/Awning Casement Round Top, French Casement French Casement Push Out Casement Narrow Frame Round Top
W10384	Putty Bead – Ultimate Wood products Casement/Picture/Awning, Push Out/Picture/Awning Casement Narrow Frame, French Casement French Casement Push Out, Casement Round Top Casement Narrow Frame Round Top Casement Narrow Frame Operator Polygon Casement Operator Round Top, Operator/Stationary Polygon
W10398	Putty Bead – Ultimate Wood products Casement Round Top, Casement Narrow Frame Round Top



Sill Riser, W11076



Putty Bead, W10384

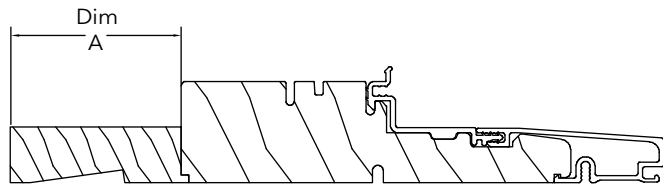


Putty Bead, W10398

Profile	Description	Dim A
W10168	1" Jamb Extension	1"
W10170	2" Jamb Extension	2"
W10171	3" Jamb Extension	3"
W10172	4" Jamb Extension	4"
W9923	6" Jamb Extension	6"
W9821	4 9/16" Jamb Extension	2 13/32"
W9894	6 9/16" Jamb Extension	4 13/32"

NOTE: For more information see the Miscellaneous Mouldings and Extrusions Chapter.

Overall Jamb Width Dimensions



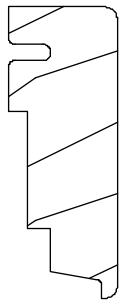
Ultimate full frame shown

Ultimate Full Frame: overall jamb width = $4 \frac{9}{16}'' + \text{Dim A}$

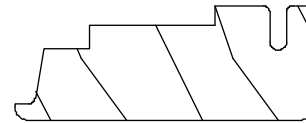
Ultimate Narrow Frame: overall jamb width = $2 \frac{1}{4}'' + \text{Dim A}$

Ultimate Wood Full Frame: overall jamb width = $4 \frac{9}{16}'' + \text{Dim A}$

Ultimate Wood Narrow Frame: overall jamb width = $3 \frac{11}{32}'' + \text{Dim A}$



W10242
Push Out
Discontinued usage 7/2011
Replace with W11311



W10243
Push Out
Discontinued usage 7/2011
Replace with W11312

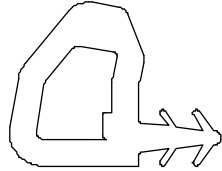
Frame Weather Strip

V1983

Usage dates:

May 2010 to present

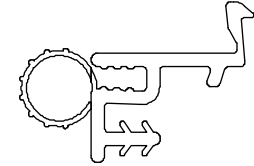
Length	Color	PN
Specify Length	Beige	15356398



Sash Weather Strip

V1797 (for aluminum exterior products)

Length	Color	PN
150"	White	15357099
	Black	15357299
	Beige	15357199



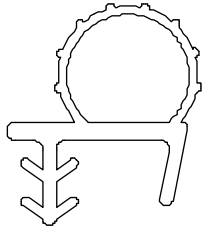
Sash Weather Strip

V1655

Ultimate Wood (sash)

Ultimate and Ultimate Wood Casement Round Top, Ultimate and Ultimate Wood Casement Narrow Frame Round Top (top rail)

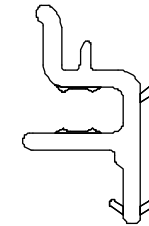
Length	Color	PN
150"	Beige	15705399
	White	15705199
	Black	15705599



Weather Strip Carrier

V1832

Length	Color	PN
150"	Beige	15913099



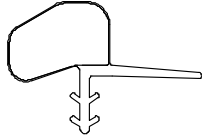
Head Jamb Weather Strip

V1725

Casement Round Top

Casement Narrow Frame Round Top

Length	Color	PN
Specify Length	Beige	15913299



Active Meeting Stile Weather Strip

V1935

Ultimate French Casement

Ultimate French Casement Push Out

Ultimate French Casement Narrow Frame Push Out

Length	Color	PN
100"	White	15357398
	Beige	15357498
	Black	15357598



Meeting Stile Weather Strip Carrier

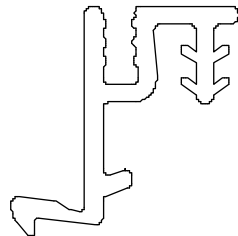
V1932

Ultimate French Casement

Ultimate French Casement Push Out

Ultimate French Casement Narrow Frame Push Out

Length	Color	PN
100"	White	15357698
	Beige	15357798
	Black	15357898



Astragal Weather Strip

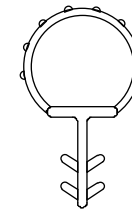
V147

Ultimate French Casement

Ultimate French Casement Push Out

Ultimate French Casement Narrow Frame Push Out

Length	Color	PN
150"	White	17002300
	Beige	15351699
	Black	17002299

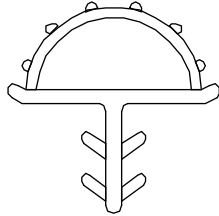


Bottom Rail Weather Strip

V2512

Ultimate Wood

Length	Color	PN
150"	Beige	15708799
	White	15708798
	Black	15708797



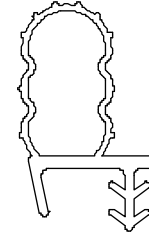
Astragal Weather Strip

V1937

Ultimate Wood French Casement

Ultimate Wood French Casement Push Out

Length	Color	PN
100"	White	15357398
	Beige	15358498
	Black	15358598



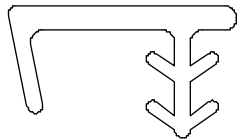
Meeting Stile Weather Strip

V1936

Ultimate Wood French Casement

Ultimate Wood French Casement Push Out

Length	Color	PN
100"	White	15358698
	Beige	15358798
	Black	15358898

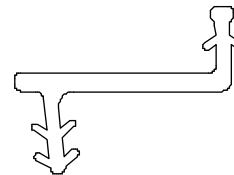


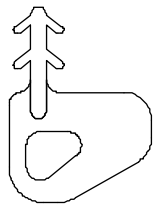
Offset Connecting Barb

V1922

Ultimate Casement Venting Picture

Length	PN
5"	15900400

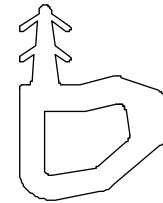




Frame Weather Strip, V1708

Used until September 2009

No longer available, replace with V1983



Frame Weather Strip, V1956

Used September 2009 to May 2010

No longer available, replace with V1983

Screen Replacement

Screens are available with aluminum or wood surround. Standard mesh is Marvin Bright View™. Aluminum mesh is available as an option in black, charcoal, bright aluminum, or bright bronze. Aluminum surrounds are available in Satin Taupe, Bronze, White, Brown and Pebble Gray.

NOTE: The Aluminum Screen will be the standard for units with a frame size height of $\leq 54 \frac{1}{2}$ ", with an option of the Extruded Aluminum Screen available. The standard screen for any unit with a frame size height $> 54 \frac{1}{2}$ " will be the Extruded Aluminum Screen.

NOTE: Screens are ordered by the outside measurement (OM) of the screen.

To order, specify:

1. Original order number;
2. size; If there is no existing screen to obtain the OM of the screen, determine the size of the screen by using the conversions and chart. The daylight opening is the measurement of the visible glass.
3. surround color;
4. mesh type.

Ultimate and Ultimate Wood Casement/Awning Ultimate and Ultimate Wood Casement/Awning Narrow Frame Ultimate and Ultimate Wood Casement/Awning Push Out Ultimate and Ultimate Wood Casement/Awning Narrow Frame Push Out		
Screen	Width	Height
Daylight Opening to OM of Screen (Standard bottom rail)	+1 1/8" (144)	+29/32" (23)
Daylight Opening to OM of Screen (Wide bottom rail)	+1 1/8" (144)	+2 13/32" (61)
Swinging Wood Screen (Ultimate Push Out)	Width	Height
Rough Opening to OM of Screen	-3 19/32" (91)	-4 1/32" (102)
Daylight Opening to OM of Screen	+3 7/32" (82)	+3 7/32" (82)
Swinging Wood Screen (Ultimate Wood Push Out)	Width	Height
Rough Opening to OM of Screen	-3 19/32" (91)	-4 1/32" (102)
Daylight Opening to OM of Screen	+3 7/32" (82)	+3 7/32" (82)

Ultimate and Ultimate Wood French Casement Ultimate and Ultimate Wood French Casement Push Out Ultimate French Casement Narrow Frame Push Out		
Screen (Ultimate)	Width	Height
Frame Size to OM of Screen	-4 9/32" (109)	-4 27/32" (123)
Swinging Wood Screen (Ultimate)	Width	Height
Frame Size to OM of Screen	(Frame width -2 11/16") Divided by 2	-2 19/32" (66)
Screen (Ultimate Wood)	Width	Height
Frame Size to OM of Screen	-4 9/32" (109)	-5 25/32" (147)
Swinging Wood Screen (Ultimate Wood)	Width	Height
Frame Size to OM of Screen	(Frame width -2 11/16") Divided by 2	-3 17/32" (90)

Leaf Spring

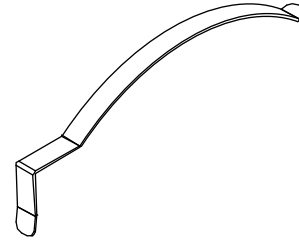
For Aluminum Screens

PN
11868835



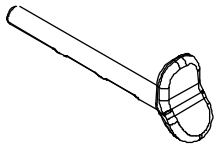
Bow Spring, Wood Screen

PN
11868020



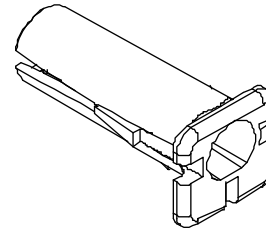
Plunger, Wood Screen

Description	PN
Wood Screen	11860242
Wood Screen with Square Sticking	11860211



Screen Frame Insert, Wood Screen

Color	PN
Black	11860241



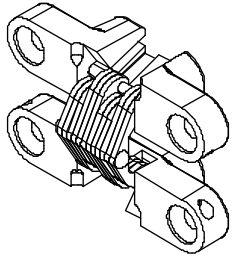
SOSS Hinge Kit

Casement/Awning Push Out (does not include Narrow Frame products)

Includes:

- 1 - SOSS Hinge (11902382)
- 4 - #5 x 3/4" Phillips flat head screws (11800575)

Color	PN
Black	11850740



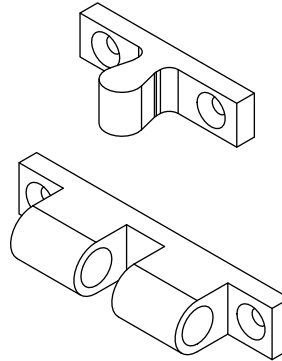
Ball Tension Catch Kit

Push Out Screen

Includes:

- 1 - Ball and catch
- 6 - Screws

Color	PN
Antique Brass	11850745
Brass	11850746
Oil Rubbed Bronze	11850747
Satin Nickel	11850748



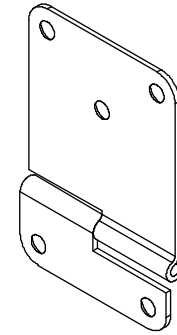
Butt Hinge Kit

Push Out Screen

Includes:

- 1 - Butt hinge
- 6 - Screws (11800794)

Color	LH PN	RH PN
Oil Rubbed Bronze	11850741	11850742
Satin Nickel	11850743	11850744



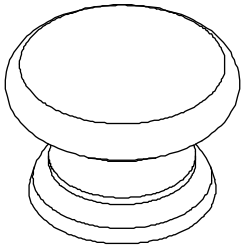
Screen Knob Kit

Push Out Screen

Includes:

- 1 - Knob
- 1 - #10 x 1.75" washer head screw (11100901)

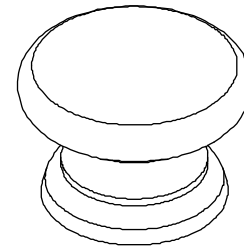
Color	PN
Pine	11856402
Oak	11856403
Mahogany	11856404
Cherry	11856405
Walnut	NA
Douglas Fir	11856408
Primed	11856419
White	11856420
Designer Black	11856458



Screen Knob

Push Out Screen

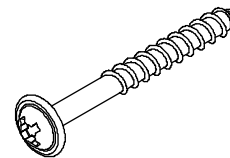
Finish	Wood Species				
	Pine	Cherry	White Oak	Mahogany	Douglas Fir
Clear	11100617	11100610	11100613	11100612	11100615
Wheat	11100659	11100652	11100655	11100654	11100657
Honey	11100667	11100660	11100663	11100662	11100665
Hazelnut	11100675	11100668	11100671	11100670	11100673
Leather	11100683	11100676	11100679	11100678	11100681
Espresso	11100699	11100692	11100695	11100694	11100697
Cabernet	11100691	11100684	11100687	11100686	11100689



Knob Mount Screw

NOTE: Knob mount screw must be ordered separately if desired knob finish is not available in a kit.

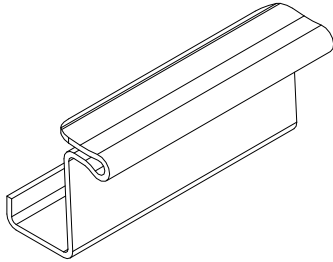
Description	PN
#10 x 1.75" Washer Head Screw	11100901



Screen Lift, Aluminum Screen

Package of 2

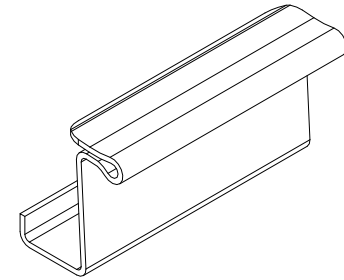
Color	PN
Satin Taupe	11873306
Stone White	11873300
Bronze	11873301
Ebony	11873319



Screen Lift, Extruded Screen

Package of 2

Color	PN
Satin Taupe	11873322
Stone White	11873323
Bronze	11873324
Ebony	11873325



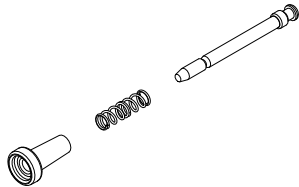
Screen Plunger Kit

Aluminum Screen

Includes:

- 1 - Plunger Bolt
- 1 - Plunger Spring
- 1 - Plunger Cap, Black

PN
11851053



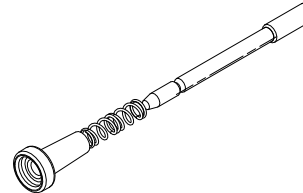
Plunger and Spring Assembly

Extruded Aluminum Screen

Includes:

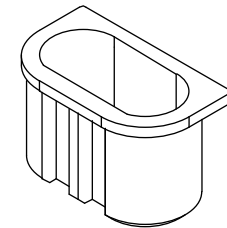
- 1 - Plunger Bolt
- 1 - Plunger Spring
- 1 - Plunger Cap, Black

PN
10500706



Screen Pin Receptacle

PN
05070410



Screen Bulb Assembly

Venting Picture

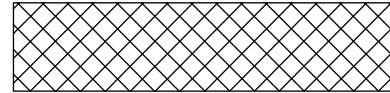
Length	PN
120"	15623299

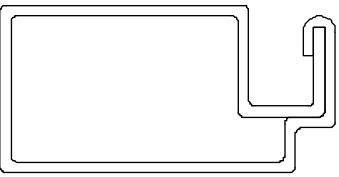


Screen Corner Key

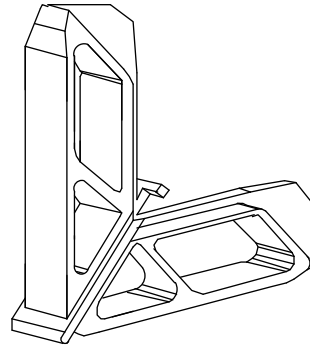
Venting Picture

PN
10500365

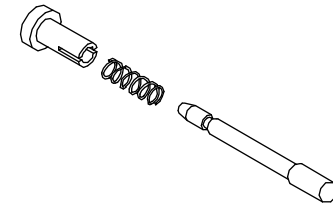




Screen Surround, Aluminum Profile



Corner Key, Screen

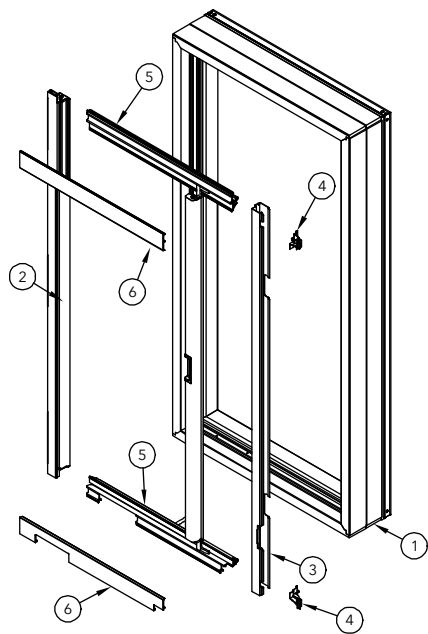


Plunger and Spring Assembly

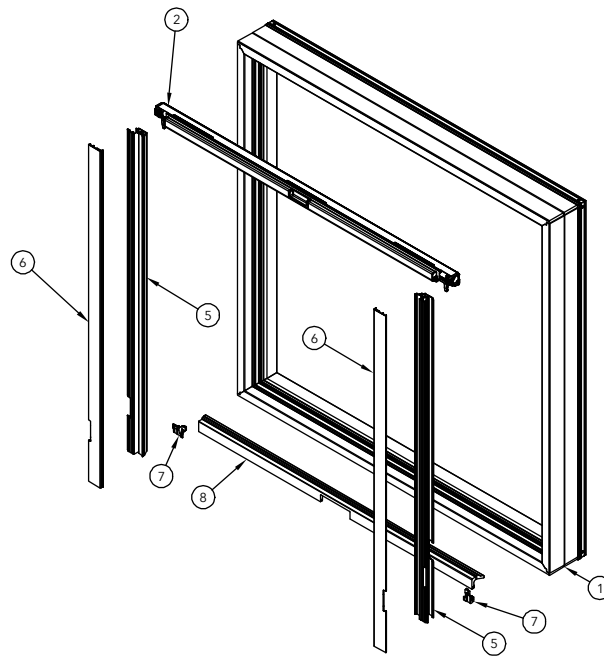
The Retractable Screen is not available as a complete assembly. For profile illustrations see profiles on the following pages.

1. Unit Assembly
2. Screen Housing ordered after 11/30/2015
3. Jamb Side Stop – C0048 (Casement, Casement Narrow Frame)
4. Lock Insert – Casement (included with the side jamb stop)
5. Track – C0129 (Casement, Casement Narrow Frame), Jamb Track – C0131 (Awning, Awning Narrow Frame)
6. Track Cover – C0130 (Casement, Casement Narrow Frame), C0132 (Awning, Awning Narrow Frame)
7. Track End Cap – Awning (included with the track)
8. Sill Cover – W10831 (Awning, Awning Narrow Frame)

NOTE: Not shown: Screen mesh cartridge (which consist of a mesh roll, screen tube, free spin plug, spring assembly) can be ordered separately for warranty purposes.



Ultimate Casement

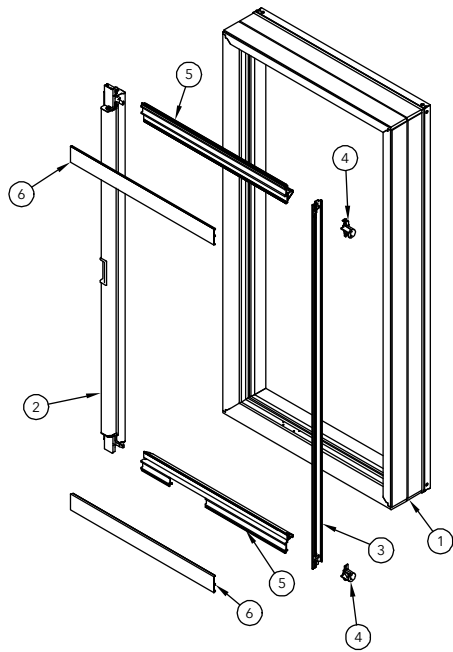


Ultimate Awning

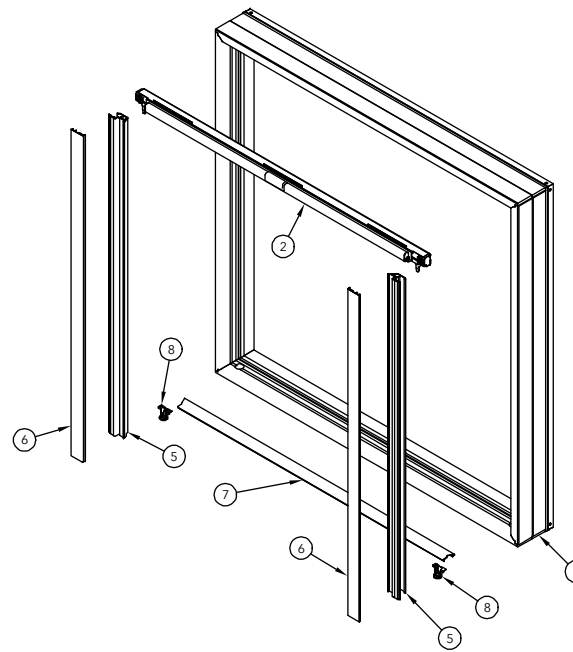
The Retractable Screen is not available as a complete assembly. For profile illustrations see profiles on the following pages.

1. Unit Assembly
2. Screen Housing ordered after 11/30/2015
3. Vertical Side Jamb Stop – C0074 (Casement Push Out, Casement Narrow Frame Push Out)
4. Locking Plug – Casement (included with the side jamb stop)
5. Track, C0129 (Casement Push Out, Casement Narrow Frame Push Out), Jamb Track, – C0131 (Awning Push Out, Awning Narrow Frame Push Out)
6. Track Cover, C0130 (Casement Push Out, Casement Narrow Frame Push Out) – C0132 (Awning Push Out, Awning Narrow Frame Push Out)
7. Sill Cover, C0075 (Awning Push Out, Awning Narrow Frame Push Out)
8. Locking Plug – Awning

NOTE: Not shown: Screen mesh cartridge (which consist of a mesh roll, screen tube, free spin plug, spring assembly) can be ordered separately for warranty purposes.



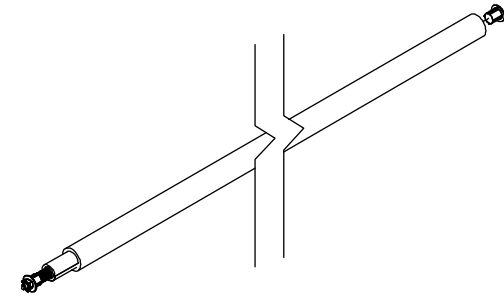
Ultimate Push Out Casement



Ultimate Push Out Awning

Ordering Retractable Screen Mesh Cartridges, specify:

1. Outside Measurement (OM) of screen or Call Number (Casement/Awning). OM of screen* (Casement/Awning Narrow Frame). Use one of the following along with the conversion chart to determine the OM of screen.
 - a. Original order number and line number. If you do not have the original order number, use options below.
 - b. Frame size.
 - c. Measure the Retractable Screen OM (see illustration). Precise measurements are extremely critical for optimal fit.
2. Handing (if Casement);
3. Wood species;
4. Gliding block color;
5. Track color.



Retractable Screen Mesh Cartridge

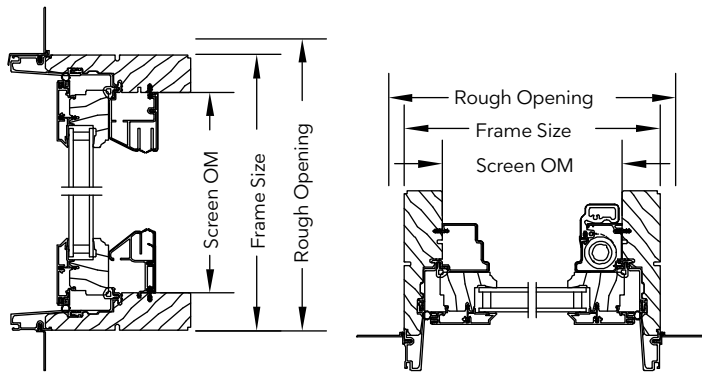
*NOTE: Screens CAN ONLY be ordered by screen OM for Casement/Awning Narrow Frame products.

NOTE: Converted measurements from DLO to frame size will NOT work.

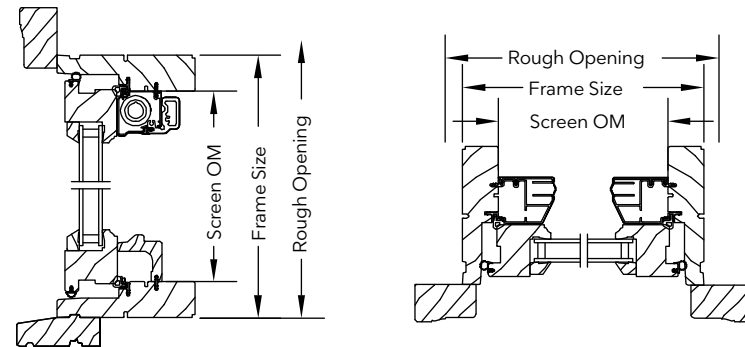
Where to measure Retractable Screen OM for Screen Mesh Replacement

Ultimate Products		
Screen	Width	Height
Frame Size to OM of Retractable Screen	-2 3/8" (60)	-2 3/8" (60)

Ultimate Wood Products		
Screen	Width	Height
Frame Size to OM of Retractable Screen	-2 3/8" (60)	-3 5/16" (84)



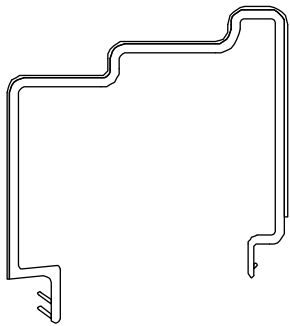
Ultimate Casement



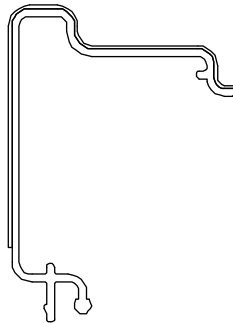
Ultimate Wood Awning

To order Retractable Screen parts, specify:

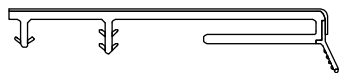
1. Outside Measurement (OM) of screen. OM is mandatory. Use one of the following along with the conversion chart to determine your screen OM.
 - a. Original order number and line number. If you do not have the original order number, use options below.
 - b. Call number or frame size. Use the call number, if possible. NOTE: Converted measurements from DLO to frame size will NOT work.
 - c. Measure the Retractable Screen OM. Precise measurements are extremely critical for optimal fit.
2. Profile number;
3. Type of unit:
 - a. Casement: left hand or right hand operation for casement (as determined from the location of the hinges on the exterior of the unit);
 - b. Awning: left or right hand track and/or cover (as determined by the location of the part viewed from the exterior of the unit);
4. Finish;
5. Species (if applicable);
6. State "Prep for Window Opening Control Device" when applicable;
7. Flexible seal on Track and Track Cover, and Pull Bar weather strip color will match Glide Block color (please specify).



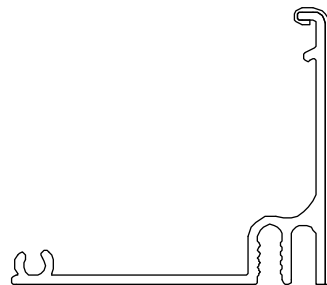
Jamb Side Stop, C0048



Exterior Housing, C0049



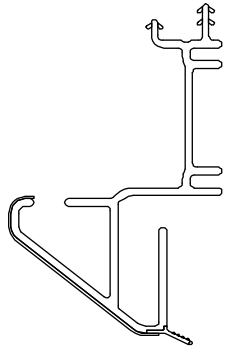
Jamb Track Cover, C0132



Interior Housing, C0032

Profile	Description
C0048	Casement, Casement Narrow Frame
C0049	Casement
C0132	Awning, Awning Narrow Frame, Awning Push Out, Awning Narrow Frame Push Out
C0032	Casement

Profile	Description
C0074	Casement Push Out, Casement Narrow Frame Push Out
C0134	Casement/Awning, Casement/Awning Narrow Frame, Casement/Awning Push Out, Casement/Awning Narrow Frame Push Out
C0129	Casement, Casement Narrow Frame, Casement Push Out, Casement Narrow Frame Push Out
C0130	Casement, Casement Narrow Frame, Casement Push Out, Casement Narrow Frame Push Out
C0075	Awning Push Out, Awning Narrow Frame Push Out
C0131	Awning, Awning Narrow Frame, Awning Push Out, Awning Narrow Frame Push Out
W10831	Awning, Awning Narrow Frame



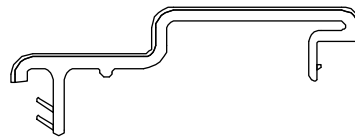
Track, C0129

Specify Head Jamb or Sill

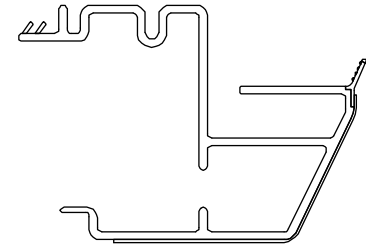


Track Cover, C0130

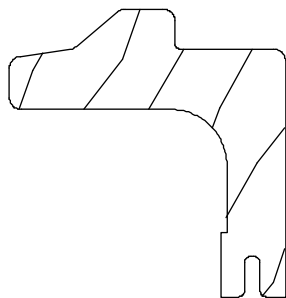
Specify Head Jamb or Sill



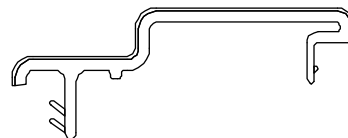
Horizontal Sill Stop Cover, C0075



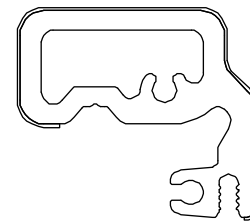
Jamb Track, C0131



Sill Cover, W10831



Vertical Side Stop, C0074



Pull Bar, C0134

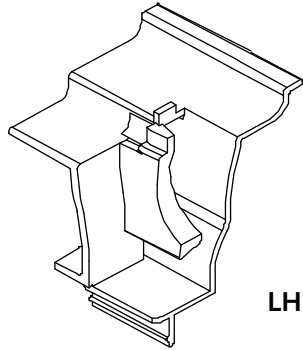
Glide Block (not shown) and weather strip included

Lock Insert Kit, Casement

Includes:

- 1 - LH locking insert
- 1 - RH locking insert

PN
11850759



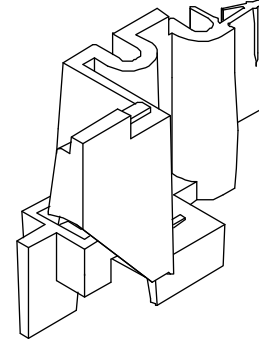
LH shown

Locking Insert Kit, Awning

Includes:

- 1 - LH locking insert
- 1 - RH locking insert

PN
11850760



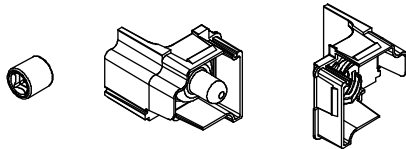
LH shown

End Cap Kit, Casement

Includes:

- 1 - Winder tool
- 1 - Free spin end cap
- 1 - Ratchet End Cap

PN
11850775

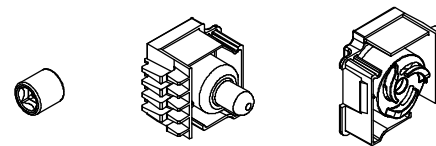


End Cap Kit, Awning

Includes:

- 1 - Winder tool
- 1 - Free spin end cap
- 1 - Ratchet end cap

PN
11850776



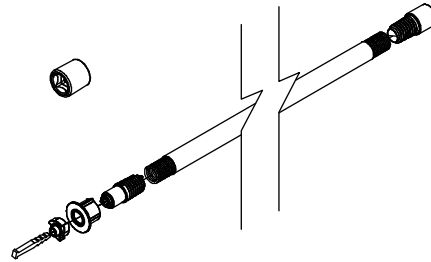
Small Spring Assembly Kit

Includes:

- 1 - Winder tool
- 1 - Small spring assembly

NOTE: For all Casement frame OM and Awning frame OM 20.000" to 24.414"

PN
11850777



Large Spring Assembly Kit

Includes:

- 1 - Winder tool
- 1 - Large spring assembly

NOTE: For Awning frame OM 24.415" to 72.000"

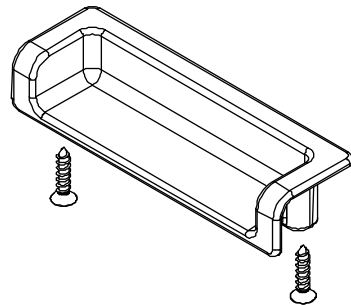
PN
11850778

Pull Bar Handle Kit

Includes:

- 1 - Handle
- 2 - 3/8" full thread screws (11800336)

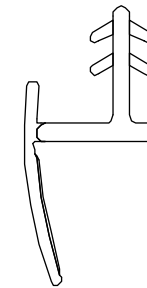
Color	PN
Satin Taupe	11851061
Bronze	11851062
Stone White	11851060
Brass	11851065
Antique Brass	11851064
Polished Chrome	11851068
Satin Chrome	11851067
Oil Rubbed Bronze	11851063
Satin Nickel	11851066
Matte Black	11851069



Pull Bar Weather Strip

V2193

Length	Color	PN
120"	Stone White	15712099
	Beige	15712199
	Black	15712299

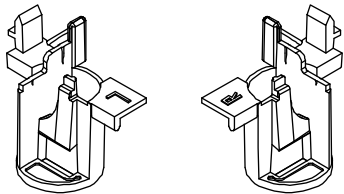


Casement Push Out Locking Plug Kit

Includes:

- 1- RH locking plug
- 1- LH locking plug
- 1 - Instruction

PN
11850761

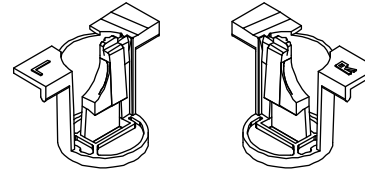


Awning Push Out Locking Plug Kit

Includes:

- 1- RH locking plug
- 1- LH locking plug
- 1 - Instruction

PN
11850762

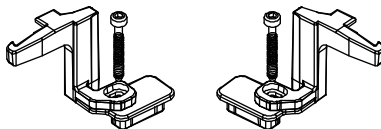


Gliding Block Kit

Includes:

- 1 - LH gliding block
- 1 - LH end cap
- 1 - RH gliding block
- 1 - RH end cap
- 2 - Gliding block fastener, Beige (11806382), Black (11806384) Stone White (11806383)

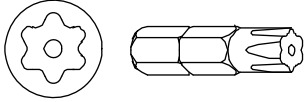
Color	PN
Beige	11850756
Black	11850757
Stone White	11850758



Replacement sash are available in Configured Parts in OMS.

T20 Torx Tamper-Proof Custodial Bit

PN
02071481



Lock Handle Wrench

PN
10810020

